

SWITCHING TRANSFORMERS FAETD SERIES



FEATURES

Centre section of the core is round easily design high-powerswitch transformers
Low leakage

OPTIONS

Bulk packaging is standard
Custom design available

COMMON APPLICATIONS

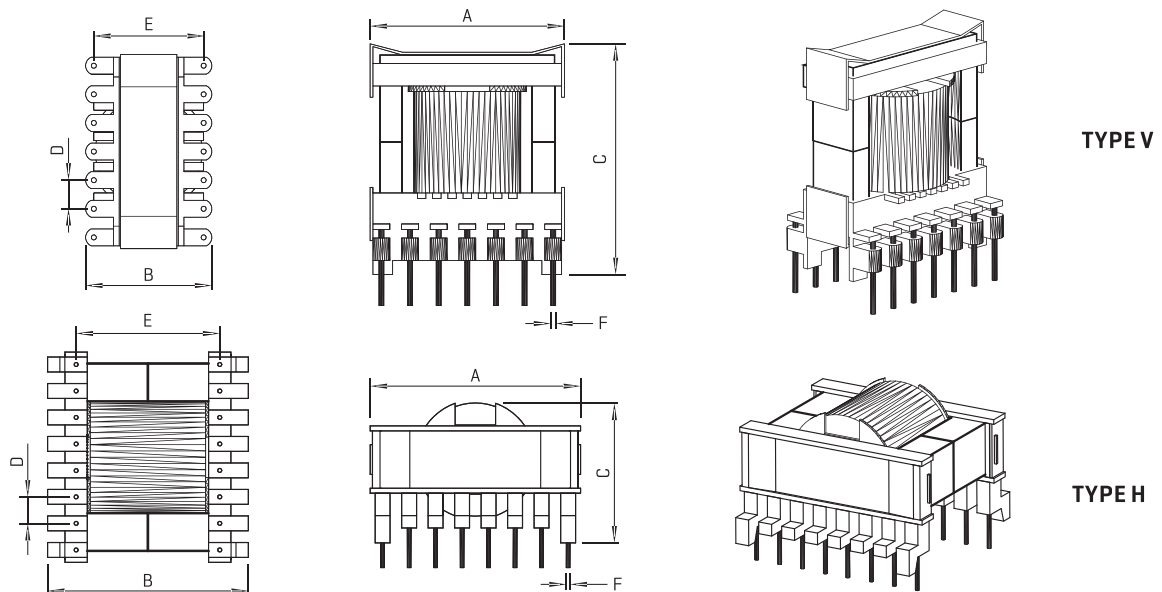
Drive transformers
Main transformers
Smoothing chokes
General purpose use

ELECTRICAL CHARACTERISTICS

Part Number	Type	No. of Terminal pins	Dimensions(mm)						Max. output [VA]
			Max A	Max B	Max C	±0.3 D	±0.5 E	±0.1 F	
FATETD 24-A	V	12	36.5	25.0	38.0	5.08	17.8	1.1	110
FATETD 29-A	H	14	36.0	36.0	25.5	5.0	25.6	0.8	170
FATETD 29-B	H	13	37.0	37.0	27.0	5.0	25.8	0.8	170
FATETD 29-C	V	12	42.0	24.5	43.0	5.08	20.32	0.8	170
FATETD 34-A	V	12	34.5	30.0	37.0	5.0	25.5	1.0	270
FATETD 34-B	H	14	41.0	41.0	27.0	5.0	25.5	2.0	270
FATETD 34-C	V	14	39.0	28.0	45.0	5.0	22.9	1.0	270
FATETD 39-A	V	16	46.0	30.5	49.6	5.0	25.4	1.0	380
FATETD 39-B	H	16	45.0	45.0	36.0	5.0	30.2	1.0	380
FATETD 44-A	H	18	50.0	51.0	40.0	5.0	35.8	1.0	520
FATETD 44-B	V	18	46.0	33.0	51.0	5.0	27.5	1.0	520
FATETD 49-A	V	22	55.0	37.0	55.0	5.0	27.5	1.0	680
FATETD 49-B	H	20	56.0	55.0	41.0	5.0	40.4	1.0	680
FATETD 54-A	H	22	61.0	60.0	47.0	5.0	44.8	1.0	750
FATETD 59-A	H	24	68.0	68.0	52.5	5.0	51.0	1.0	900

Note: The output power is only for forward model and the frequency at 100kHz

PHYSICAL CHARACTERISTICS



ALL DIMENSIONS IN MM