

# SURFACE MOUNT LINE MATCHING TRANSFORMERS FALP-5001 SERIES



## FEATURES

Subminiature in FAT  
7.36mm seated height  
Tested at 4600 Vrms, 1minute  
Distortion of only 0.015%  
Vacuum encapsulated  
UL60950 certified  
RoHS compliant

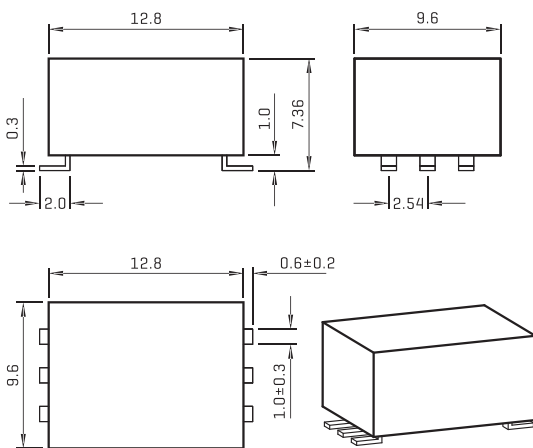
## OPTIONS

Tape and reel is standard  
(400 pcs. per reel)  
Bulk packaging available for  
faller quantities  
Custom design available  
Tolerance: 5% is standard,  
Tighter tolerance available

## COMMON APPLICATIONS

Modems[V32]  
Laptop Computer  
Telecommunications  
Instrumentation  
PCMCIA

## PHYSICAL CHARACTERISTICS

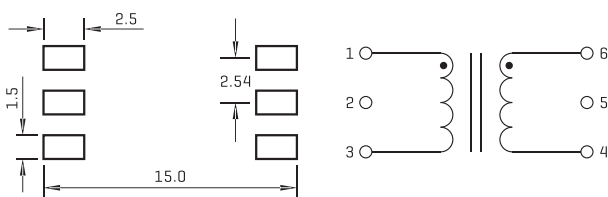


ALL DIMENSIONS IN MM

## ELECTRICAL CHARACTERISTICS

Nominal Impedance:	600 $\Omega$
Turns Ratio:	1:1
Insertion Loss:	2.0dB max. at 2kHz
Frequency Response:	$\pm 0.25$ dB max. 200-4kHz
Return Loss:	24dB min. 200-4kHz *
Balance:	80dB min.
Distortion:	-76dB max. @600Hz, -10dBm
Dielectric Strength:	4600 Vrms for 1 min.
Insulation Resistance:	100M $\Omega$ @500V
DC Resistance * *	
Primary:	115 $\Omega$ $\pm$ 15%
Secondary:	115 $\Omega$ $\pm$ 15%
Shunt Inductance:	3.8H min.
Shunt:	7500 $\Omega$ min.
Leakage Inductance:	6mH typ. @1kHz
Power Level:	10dBm
Operating Temperature:	-20 $^{\circ}$ C-+85 $^{\circ}$ C
Storage Temperature:	-40 $^{\circ}$ C-+85 $^{\circ}$ C
Terminal Plating Material	AgSn

## TECHNICAL INFORMATION



Suggested PCB Layout

Schematic

ALL DIMENSIONS IN MM

\* For use with recommended circuit (BS6305 impedance Class A non-speech or Class B speech)

\* \* FA-LP-5001 is symmetrical, meaning there is no real primary nor secondary winding.

# SURFACE MOUNT LINE MATCHING TRANSFORMERS FALP-5002 SERIES



## FEATURES

Subminiature in FAT  
7.36mm seated height  
Tested at 4600 Vrms, 1minute  
Distortion of only 0.015%  
Vacuum encapsulated  
UL60950 certified  
RoHS compliant

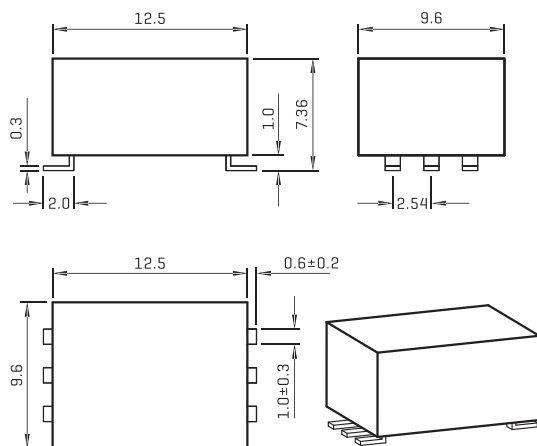
## OPTIONS

Tape and reel is standard  
(400 pcs. per reel)  
Bulk packaging available for  
faller quantities  
Custom design available  
Tolerance: 5% is standard,  
Tighter tolerance available

## COMMON APPLICATIONS

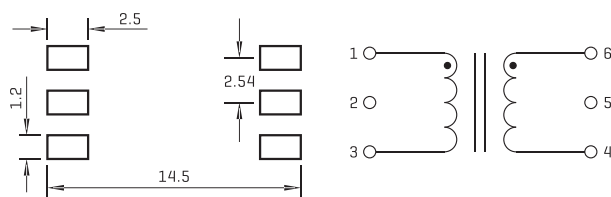
Modems (V32)  
Laptop Computer  
Telecommunications  
Instrumentation  
PCMCIA

## PHYSICAL CHARACTERISTICS



ALL DIMENSIONS IN MM

## TECHNICAL INFORMATION



Suggested PCB Layout

Schematic

ALL DIMENSIONS IN MM

## ELECTRICAL CHARACTERISTICS

Nominal Impedance:	600°C
Turns Ratio:	1:1
Insertion Loss:	2.0dB max. at 2kHz
Frequency Response:	±0.25dB max. 200-4kHz
Return Loss:	24dB min. 200-4kHz *
Balance:	80dB min.
Distortion:	-85dB max. @600Hz, -10dBm
Dielectric Strength:	4600 Vrms for 1 min.
Insulation Resistance:	100MΩ@500V
DC Resistance * *	
Primary:	136 Ω±12%
Secondary:	136 Ω±12%
Shunt Inductance:	3.8H min.
Shunt:	7500 Ω min.
Leakage Inductance:	6-7mH typ. @1kHz
Power Level:	10dBm
Operating Temperature:	-20°C-+85°C
Storage Temperature:	-40°C-+85°C
Terminal Plating Material	AgSn

\* For use with recommended circuit (BS6305 impedance Class A non-speech or Class B speech)

\* \* FA-LP-5002 is symmetrical, meaning there is no real primary nor secondary winding.