

THROUGH-HOLE RADIAL HIGH CURRENT POWER CHOKES FAAIRD03 SERIES



FEATURES:

High Saturation Material
Polyo efin Shrink Tubing
Low DC Resistance
High Reliability Low cost

OPTIONS:

Packaging: Tape & Reel is Standard
(Qty: 1000 pcs)
Bulk packaging available for smaller quantities
Tolerance:10% is standard
tighter tolerances available.

COMMON APPLICATIONS:

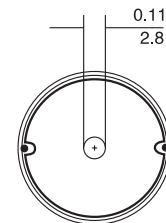
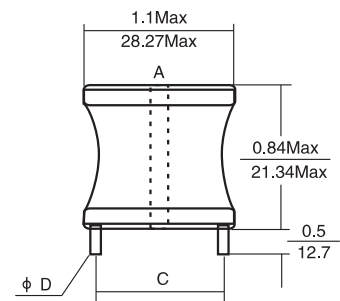
Switching Regulators
RFI Suppression Filters
SCR and TRIAC Controls
Automotive Systems

STANDARD SPECIFICATIONS

Part Number	L [μH] @1KHz	DCR [Ω Max]	IDC [A Max]	Dim[Inches/mm] C Approx.	Dim[Inches/mm] ØD Nom.
FAAIRD03-1R0M	1.0	0.003	21	0.80/20.32	0.079/2.00
FAAIRD03-1R2M	1.2	0.003	21	0.80/20.32	0.079/2.00
FAAIRD03-1R5M	1.5	0.003	21	0.80/20.32	0.079/2.00
FAAIRD03-1R8M	1.8	0.003	21	0.80/20.32	0.079/2.00
FAAIRD03-2R2M	2.2	0.003	21	0.80/20.32	0.079/2.00
FAAIRD03-2R7M	2.7	0.003	21	0.80/20.32	0.079/2.00
FAAIRD03-3R3M	3.3	0.003	21	0.80/20.32	0.079/2.00
FAAIRD03-3R9M	3.9	0.003	21	0.80/20.32	0.079/2.00
FAAIRD03-4R7M	4.7	0.003	21	0.80/20.32	0.079/2.00
FAAIRD03-5R6M	5.6	0.003	21	0.82/20.82	0.079/2.00
FAAIRD03-6R8M	6.8	0.004	21	0.82/20.82	0.079/2.00
FAAIRD03-8R2M	8.2	0.004	21	0.82/20.82	0.079/2.00
FAAIRD03-100K	10	0.006	17	0.82/20.82	0.079/2.00
FAAIRD03-120K	12	0.008	13.5	0.80/20.32	0.071/1.80
FAAIRD03-150K	15	0.009	13.5	0.80/20.32	0.071/1.80
FAAIRD03-180K	18	0.010	13.5	0.80/20.32	0.071/1.80
FAAIRD03-220K	22	0.011	13.5	0.79/20.06	0.063/1.60
FAAIRD03-270K	27	0.012	13.5	0.79/20.06	0.063/1.60
FAAIRD03-330K	33	0.017	13.5	0.79/20.06	0.063/1.60
FAAIRD03-390K	39	0.022	11.4	0.79/20.06	0.055/1.40
FAAIRD03-470K	47	0.024	9.0	0.79/20.06	0.055/1.40
FAAIRD03-560K	56	0.026	9.0	0.79/20.06	0.055/1.40
FAAIRD03-680K	68	0.029	9.0	0.79/20.06	0.055/1.40
FAAIRD03-820K	82	0.032	9.0	0.79/20.06	0.055/1.40
FAAIRD03-101K	100	0.034	9.0	0.79/20.06	0.055/1.40
FAAIRD03-121K	120	0.046	7.2	0.79/20.06	0.055/1.40
FAAIRD03-151K	150	0.064	5.5	0.77/19.56	0.043/1.10
FAAIRD03-181K	180	0.072	5.5	0.77/19.56	0.043/1.10
FAAIRD03-221K	220	0.080	5.5	0.77/19.56	0.039/1.00
FAAIRD03-271K	270	0.110	4.5	0.77/19.56	0.039/1.00
FAAIRD03-331K	330	0.122	4.5	0.77/19.56	0.039/1.00
FAAIRD03-391K	390	0.169	4.0	0.77/19.56	0.035/0.90
FAAIRD03-471K	470	0.187	4.0	0.77/19.56	0.035/0.90
FAAIRD03-561K	560	0.205	4.0	0.77/19.56	0.031/0.80
FAAIRD03-681K	680	0.256	2.8	0.77/19.56	0.031/0.80
FAAIRD03-821K	820	0.288	2.8	0.77/19.56	0.031/0.80
FAAIRD03-102K	1000	0.426	2.0	0.75/19.05	0.030/0.75
FAAIRD03-122K	1200	0.426	2.0	0.75/19.05	0.030/0.75
FAAIRD03-152K	1500	0.518	2.0	0.75/19.05	0.026/0.65
FAAIRD03-182K	1800	0.705	1.6	0.75/19.05	0.026/0.65
FAAIRD03-222K	2200	1.02	1.3	0.75/19.05	0.026/0.65
FAAIRD03-272K	2700	1.14	1.3	0.75/19.05	0.022/0.57
FAAIRD03-332K	3300	1.27	1.3	0.75/19.05	0.020/0.50
FAAIRD03-392K	3900	1.67	1.0	0.75/19.05	0.020/0.50
FAAIRD03-472K	4700	1.86	1.0	0.75/19.05	0.020/0.50

Note:1. K=±10%,M=±20%

PHYSICAL CHARACTERISTICS



DIMENSIONS: INCHES / mm

ELECTRONICAL SCHEMATIC



TECHNICAL INFORMATION

Inductance Testing: ,HP4284A,HP4285A or equivalent
RDC:QuadTech 1880 Milliohmmer
Q- HP4342A
SRF-HP4191A or HP4194A
Rated Current L value drop10%typ.at DC against its initial value
Temperature rise 40°C Max Reference ambient temperaturu
Solderability: 75% of the lead wire shall be covere
Soldering Methods: Wave,Reflow
Operating Temperature:-25°C to +85°C
Storage Temperature: -55°C to +125°C
Terminal bending strength:24.5N Min
Moisture resistance:ΔL/L≤±10% ΔQ/Q≤±25%

Note: All specifications subject to change without notice.