

THROUGH-HOLE AXIAL CONFORMAL COATED INDUCTORS FALGA0305 SERIES



FEATURES:

Ferrite Core
Wire-wound construction
Heat resistant epoxy resin
High reliability, Ideal for automatic insertion
Small size, Low Cost

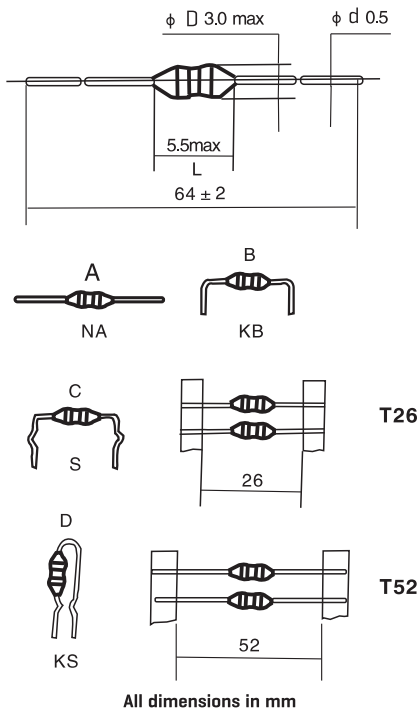
OPTIONS:

Packaging: Tape & Reel is Standard
[Qty: 1000 pcs]
Bulk packaging available for smaller quantities
Tolerance: 10% is standard
tighter tolerances available.

COMMON APPLICATIONS:

VCRs, PDP, LCD, TV set
Automotive Systems
Computer Peripheral Equipment
GPS, DC/DC converter, XDSL Modem
Electronic Games
Mobile Communications Equipment
General Electronic Applications

PHYSICAL CHARACTERISTICS



STANDARD SPECIFICATIONS

Part Number	L [μ H]	Tol \pm %	Q min	L Test Freq [MHz]	S.R.F [MHz]	RDC (Ω) Max	IDC [mA]
FALGA0305-R22M	0.22	20	35	25.2	150	0.40	400
FALGA0305-R27M	0.27	20	35	25.2	150	0.43	380
FALGA0305-R33M	0.33	20	35	25.2	150	0.48	370
FALGA0305-R39M	0.39	20	35	25.2	150	0.51	350
FALGA0305-R47M	0.47	20	35	25.2	150	0.56	330
FALGA0305-R56M	0.56	20	40	25.2	150	0.61	320
FALGA0305-R68M	0.68	20	40	25.2	150	0.67	310
FALGA0305-R82M	0.82	20	40	25.2	150	0.74	290
FALGA0305-1R0M	1.0	20	40	25.2	150	0.80	270
FALGA0305-1R2M	1.2	20	50	7.96	144	0.90	260
FALGA0305-1R5M	1.5	20	50	7.96	131	1.0	250
FALGA0305-1R8M	1.8	20	50	7.96	121	1.1	240
FALGA0305-2R2M	2.2	20	50	7.96	110	1.2	230
FALGA0305-2R7M	2.7	20	50	7.96	100	1.3	220
FALGA0305-3R3K	3.3	10	50	7.96	90	1.4	210
FALGA0305-3R9K	3.9	10	50	7.96	60	1.6	200
FALGA0305-4R7K	4.7	10	50	7.96	50	1.7	190
FALGA0305-5R6K	5.6	10	50	7.96	42	1.9	180
FALGA0305-6R8K	6.8	10	50	7.96	34	2.0	175
FALGA0305-8R2K	8.2	10	50	7.96	25	2.2	165
FALGA0305-100K	10	10	50	7.96	21	2.5	160
FALGA0305-120K	12	10	50	25.2	19	2.5	150
FALGA0305-150K	15	10	50	25.2	17	2.8	145
FALGA0305-180K	18	10	50	25.2	13	3.1	140
FALGA0305-220K	22	10	50	25.2	9.6	3.4	130
FALGA0305-270K	27	10	50	25.2	7.2	3.8	125
FALGA0305-330K	33	10	50	25.2	6.3	4.1	120
FALGA0305-390K	39	10	50	25.2	6.3	4.5	115
FALGA0305-470K	47	10	50	25.2	6.3	4.9	110
FALGA0305-560K	56	10	50	25.2	6.2	5.3	105
FALGA0305-680K	68	10	50	25.2	5.7	5.8	100
FALGA0305-820K	82	10	50	25.2	5.3	6.3	95
FALGA0305-101K	100	10	50	25.2	4.8	7.0	90
FALGA0305-121K	120	10	50	0.796	3.8	13.0	90
FALGA0305-151K	150	10	50	0.796	3.5	15.0	85
FALGA0305-181K	180	10	50	0.796	3.3	16.0	80
FALGA0305-221K	220	10	50	0.796	3.0	17.0	75
FALGA0305-271K	270	10	50	0.796	2.8	19.0	65

Note: 1. K=±10%, M=±20%

TECHNICAL INFORMATION

1. Ordering Cod

FALGA 04 10 KB - 101 K T52
[1] [2] [3] [4] [5] [6] [7]

- [1] Type
[2] Outside
[3] Body Length
[4] Formed Type
[5] Nominal Inductance
[6] Inductance Tolerance
[7] Tape Type

Testing: [Equivalent acceptable
Inductance- Hp 4285A
RDC: QuadTech 1880 Milliohm meter
Q-HP 4342A
SRF-HP 4191A

IDC Max: The maximum DC value having inductance decrease within 10% and temperature increase within 20°C by the application of DC Bias

Operating temperature: -25°C to +105°C

Storage temperature: -40°C to +85°C

Solderability: Temperature @ 230°C ±5°C for 2 seconds

Marking: EIA 4 band color code

Note: All specifications subject to change without notice.