

THROUGH-HOLE AXIAL CONFORMAL COATED INDUCTORS FALGA0307 SERIES



FEATURES:

Magnetic Core
Wire-wound construction
Heat resistant epoxy resin
High reliability- Ideal for automatic insertion
Small size - Low Cost

OPTIONS:

Packaging: Tape & Reel is Standard
(Qty: 5000 pcs)
Bulk packaging available for smaller quantities
Tolerance:10% is standard
tighter tolerances available.

COMMON APPLICATIONS:

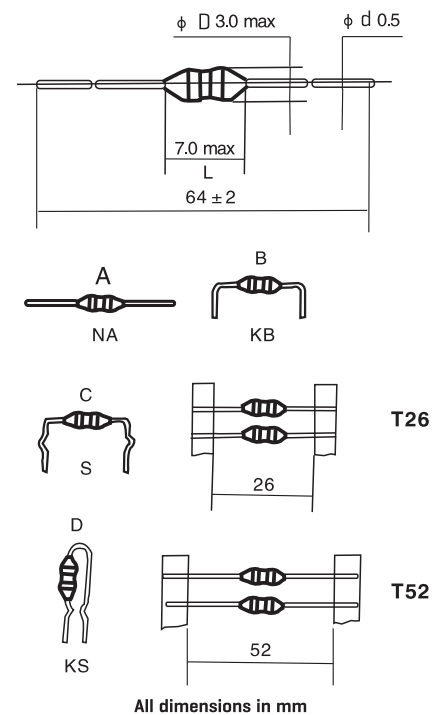
VCRs
Automotive Systems
Computer Peripheral Equipment
Televisions
Electronic Games
Mobile Communications Equipment
General Electronic Applications

STANDARD SPECIFICATIONS

Part Number	L [μH]	Tol ±%	Q min	L Test Freq [MHz]	S.R.F [MHz]	RDC (Ω) Max	IDC [mA]
FALGA0307-R22M	0.22	20	35	25.2	150	0.40	400
FALGA0307-R27M	0.27	20	35	25.2	150	0.43	380
FALGA0307-R33M	0.33	20	35	25.2	150	0.48	370
FALGA0307-R39M	0.39	20	35	25.2	150	0.51	350
FALGA0307-R47M	0.47	20	35	25.2	150	0.56	330
FALGA0307-R56M	0.56	20	40	25.2	150	0.61	320
FALGA0307-R68M	0.68	20	40	25.2	150	0.67	310
FALGA0307-R82M	0.82	20	40	25.2	150	0.74	290
FALGA0307-1R0M	1.0	20	40	25.2	150	0.80	270
FALGA0307-1R2M	1.2	20	50	7.96	144	0.90	260
FALGA0307-1R5M	1.5	20	50	7.96	131	1.0	250
FALGA0307-1R8M	1.8	20	50	7.96	121	1.1	240
FALGA0307-2R2M	2.2	20	50	7.96	110	1.2	230
FALGA0307-2R7M	2.7	20	50	7.96	100	1.3	220
FALGA0307-3R3K	3.3	10	50	7.96	94	1.4	210
FALGA0307-3R9K	3.9	10	50	7.96	85	1.6	200
FALGA0307-4R7K	4.7	10	50	7.96	56	1.7	190
FALGA0307-5R6K	5.6	10	50	7.96	48	1.9	180
FALGA0307-6R8K	6.8	10	50	7.96	37	2.0	175
FALGA0307-8R2K	8.2	10	50	7.96	25	2.2	165
FALGA0307-100K	10	10	50	7.96	21	2.5	160
FALGA0307-120K	12	10	50	2.52	19	2.5	150
FALGA0307-150K	15	10	50	2.52	17	2.8	145
FALGA0307-180K	18	10	50	2.52	13	3.1	140
FALGA0307-220K	22	10	50	2.52	9.6	3.4	130
FALGA0307-270K	27	10	50	2.52	7.2	3.8	125
FALGA0307-330K	33	10	50	2.52	6.3	4.1	120
FALGA0307-390K	39	10	50	2.52	6.3	4.5	115
FALGA0307-470K	47	10	50	2.52	6.3	4.9	110
FALGA0307-560K	56	10	50	2.52	6.2	5.3	105
FALGA0307-680K	68	10	50	2.52	5.7	5.8	100
FALGA0307-820K	82	10	50	2.52	5.3	6.3	95
FALGA0307-101K	100	10	50	2.52	4.8	7.0	90
FALGA0307-121K	120	10	50	0.796	3.8	13.0	90
FALGA0307-151K	150	10	50	0.796	3.5	15.0	85
FALGA0307-181K	180	10	50	0.796	3.3	16.0	80
FALGA0307-221K	220	10	50	0.796	3.0	17.0	75
FALGA0307-271K	270	10	50	0.796	2.8	19.0	65
FALGA0307-331K	330	10	50	0.796	2.6	20.0	60
FALGA0307-391K	390	10	50	0.796	2.4	22.0	55
FALGA0307-471K	470	10	50	0.796	2.25	24.0	55
FALGA0307-561K	560	10	50	0.796	2.10	26.0	50
FALGA0307-681K	680	10	50	0.796	1.95	28.0	45
FALGA0307-821K	820	10	50	0.796	1.85	30.0	40
FALGA0307-102K	1000	10	50	0.796	1.40	33.0	40

Note:1. K=±10%,M=±20%

PHYSICAL CHARACTERISTICS



All dimensions in mm

TECHNICAL INFORMATION

1、 Ordering Cod
FALGA $\frac{04}{(1)}$ $\frac{10}{(2)}$ $\frac{KB}{(3)}$ - $\frac{101}{(5)}$ $\frac{K}{(6)}$ $\frac{T52}{(7)}$

[1] Type
[2] Outside
[3] Body Length
[4] Formed Type
[5] Nominal Inductance
[6] Inductance Tolerance
[7] Tape Type

Testing: [Equivalent acceptable

Inductance-Hp 4285A

RDC: QuadTech 1880 Milliohm meter

Q-HP 4342A

SRF-HP 4191A

IDC Max: The maximum DC value having inductance decrease within 10% and temperature increase within 20°C by the application of DC Bias

Operating temperature: -25°C to +105°C

Storage temperature: -40°C to +85°C

Solderability: Temperature @ 230°C ±5°C for 2 seconds

Marking: EIA 4 band color code

Note: All specifications subject to change without notice.