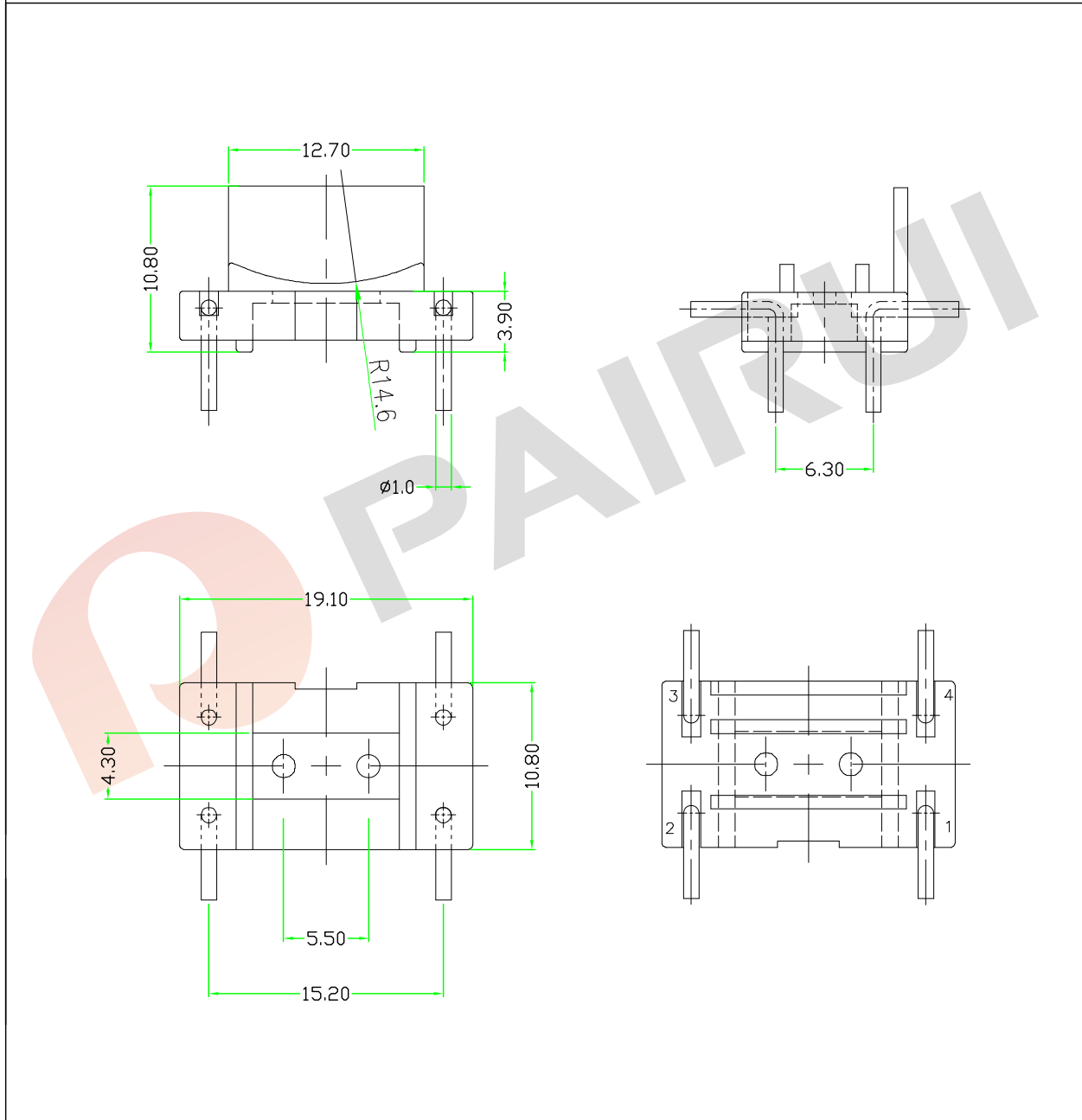


General data 4-pins base

PARAMETER	SPECIFICATION
Coil former material	polybutyleneterephthalate (PBT), glass reinforced, flame retardant in accordance with "UL 94V-0"; UL file number E59481
Pin material	copper-tin alloy (CuSn), tin (Sn) plated
Maximum operating temperature	130 °C, "IEC 60085", class B
Resistance to soldering heat	"IEC 60068-2-20", Part 2, Test Tb, method 1B, 350 °C, 3.5 s
Soldeerability	"IEC 60068-2-20", Part 2, Test Ta, method 1



Tolerances unless otherwise specified: $0 < L \leq 4 \pm 0.10$ $4 < L \leq 16 \pm 0.20$ $16 < L \leq 45 \pm 0.30$ $45 \leq L \pm 0.40$ Pin Dim: ± 0.05 Thickness: ± 0.20 Pin Pitch: ± 0.20	Dimensions: (mm)	TYPE NUMBER: BASE-044-4P	
		Mould No.: Code No.: FAY01033	Bobbin material: PBT/4830 NC Available for Fuan core:
Fuan Electronics TEL :0086-514-87693589 EML :sales@fuantronics.net WEB:www.fuantronics.net	Make: P.Xiao	Material Number: A4N440000036	
	Checked: Beson. zhan	Document/Rev: 00	
	Approved: Anson. zhan	Date of Recognition: Dec./03/2019	