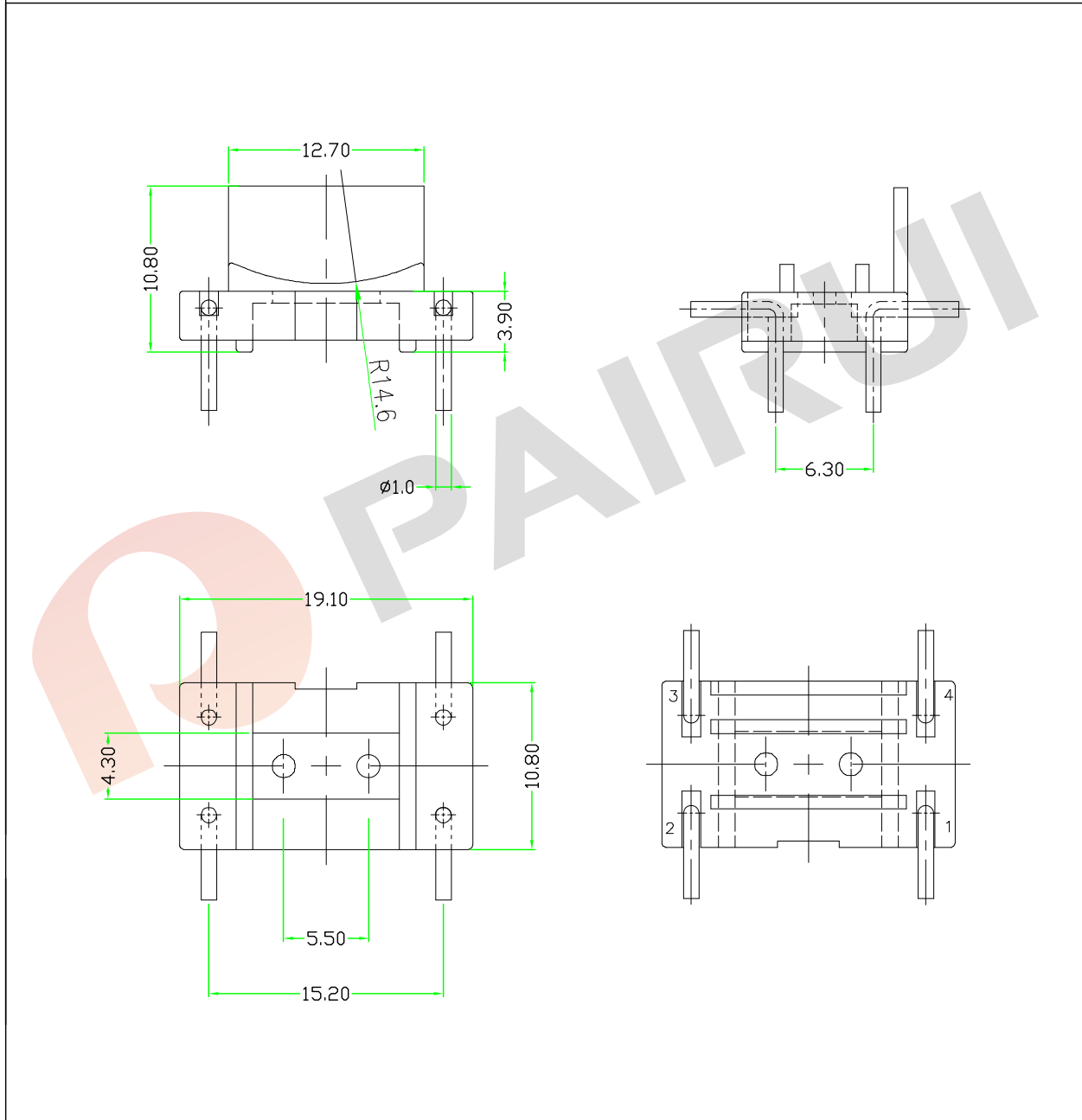


General data 4-pins base

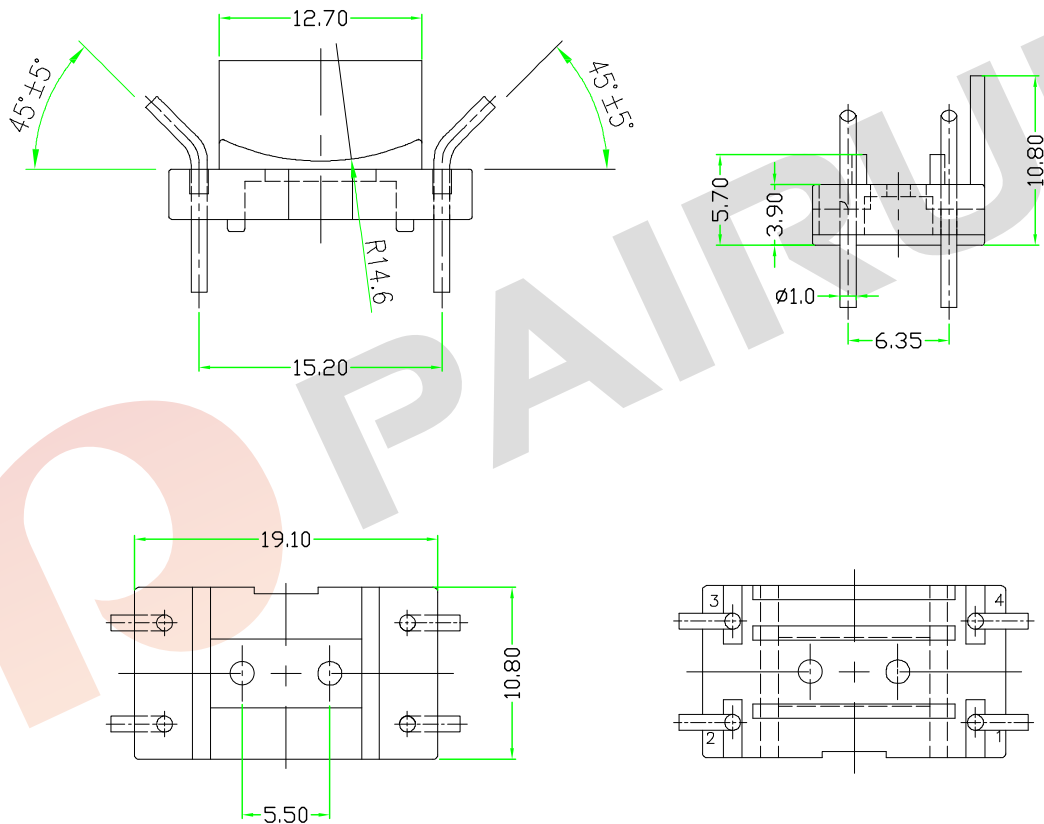
PARAMETER	SPECIFICATION
Coil former material	polybutyleneterephthalate (PBT), glass reinforced, flame retardant in accordance with "UL 94V-0"; UL file number E59481
Pin material	copper-tin alloy (CuSn), tin (Sn) plated
Maximum operating temperature	130 °C, "IEC 60085", class B
Resistance to soldering heat	"IEC 60068-2-20", Part 2, Test Tb, method 1B, 350 °C, 3.5 s
Soldeerability	"IEC 60068-2-20", Part 2, Test Ta, method 1



Tolerances unless otherwise specified: $0 < L \leq 4 \pm 0.10$ $4 < L \leq 16 \pm 0.20$ $16 < L \leq 45 \pm 0.30$ $45 \leq L \pm 0.40$ Pin Dim: ± 0.05 Thickness: ± 0.20 Pin Pitch: ± 0.20	Dimensions: (mm)	TYPE NUMBER: BASE-044-4P		
		Mould No.:	Bobbin material: PBT/4830 NC	
		Code No.: FAY01033	Available for Fuan core:	
Fuan Electronics TEL :0086-514-87693589 EML :sales@fuantronics.net WEB:www.fuantronics.net	Make: P.Xiao	Material Number: A4N440000036		
	Checked: Beson. zhan	Document/Rev: 00		
	Approved: Anson. zhan	Date of Recognition: Dec./03/2019		

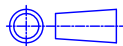
General data 4-pins base

PARAMETER	SPECIFICATION
Coil former material	polybutyleneterephthalate (PBT), glass reinforced, flame retardant in accordance with "UL 94V-0"; UL file number E59481
Pin material	copper-tin alloy (CuSn), tin (Sn) plated
Maximum operating temperature	130 °C, "IEC 60085", class B
Resistance to soldering heat	"IEC 60068-2-20", Part 2, Test Tb, method 1B, 350 °C, 3.5 s
Soldeerability	"IEC 60068-2-20", Part 2, Test Ta, method 1



Tolerances unless otherwise specified:
 $0 < L \leq 4 \pm 0.10$ $4 < L \leq 16 \pm 0.20$
 $16 < L \leq 45 \pm 0.30$ $45 \leq L \pm 0.40$
 Pin Dim: ± 0.05 Thickness: ± 0.20 Pin Pitch: ± 0.20

Dimensions:
(mm)



TYPE NUMBER: BASE-044-1-4P

Mould No.:

Bobbin material: PBT/4830 NC

Code No.: FAY01033

Available for Fuan core:



Fuan Electronics

TEL :0086-514-87693589
 EML :sales@fuantronics.net
 WEB:www.fuantronics.net

Make: P.Xiao

Material Number: A4N441000036

Checked: Beson. zhan

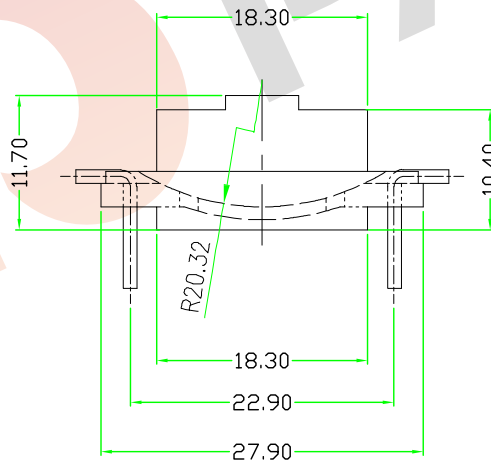
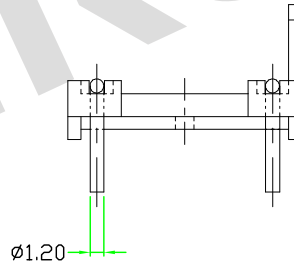
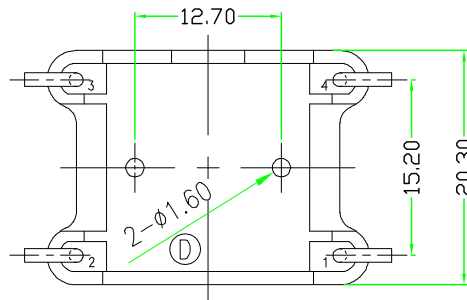
Document/Rev: 00

Approved: Anson. zhan

Date of Recognition: Dec./07/2019

General data 4-pins base

PARAMETER	SPECIFICATION
Coil former material	polybutyleneterephthalate (PBT), glass reinforced, flame retardant in accordance with "UL 94V-0"; UL file number E59481
Pin material	copper-tin alloy (CuSn), tin (Sn) plated
Maximum operating temperature	130 °C, "IEC 60085", class B
Resistance to soldering heat	"IEC 60068-2-20", Part 2, Test Tb, method 1B, 350 °C, 3.5 s
Soldeerability	"IEC 60068-2-20", Part 2, Test Ta, method 1



Tolerances unless otherwise specified:
 0<L≤4±0.10 4<L≤16±0.20
 16<L≤45±0.30 45≤L±0.40
 Pin Dim:±0.05 Thickness:±0.20 Pin Pitch:±0.20

Dimensions:
(mm)



TYPE NUMBER: BASE-045-4P

Mould No.:

Bobbin material: PBT/4830 NC

Code No.: FAY01033

Available for Fuan core:



Fuan Electronics

TEL :0086-514-87693589
 EML :sales@fuantronics.net
 WEB:www.fuantronics.net

Make: P.Xiao

Material Number: A4N45000036

Checked: Beson. zhan

Document/Rev: 00

Approved: Anson. zhan

Date of Recognition: Dec./03/2019