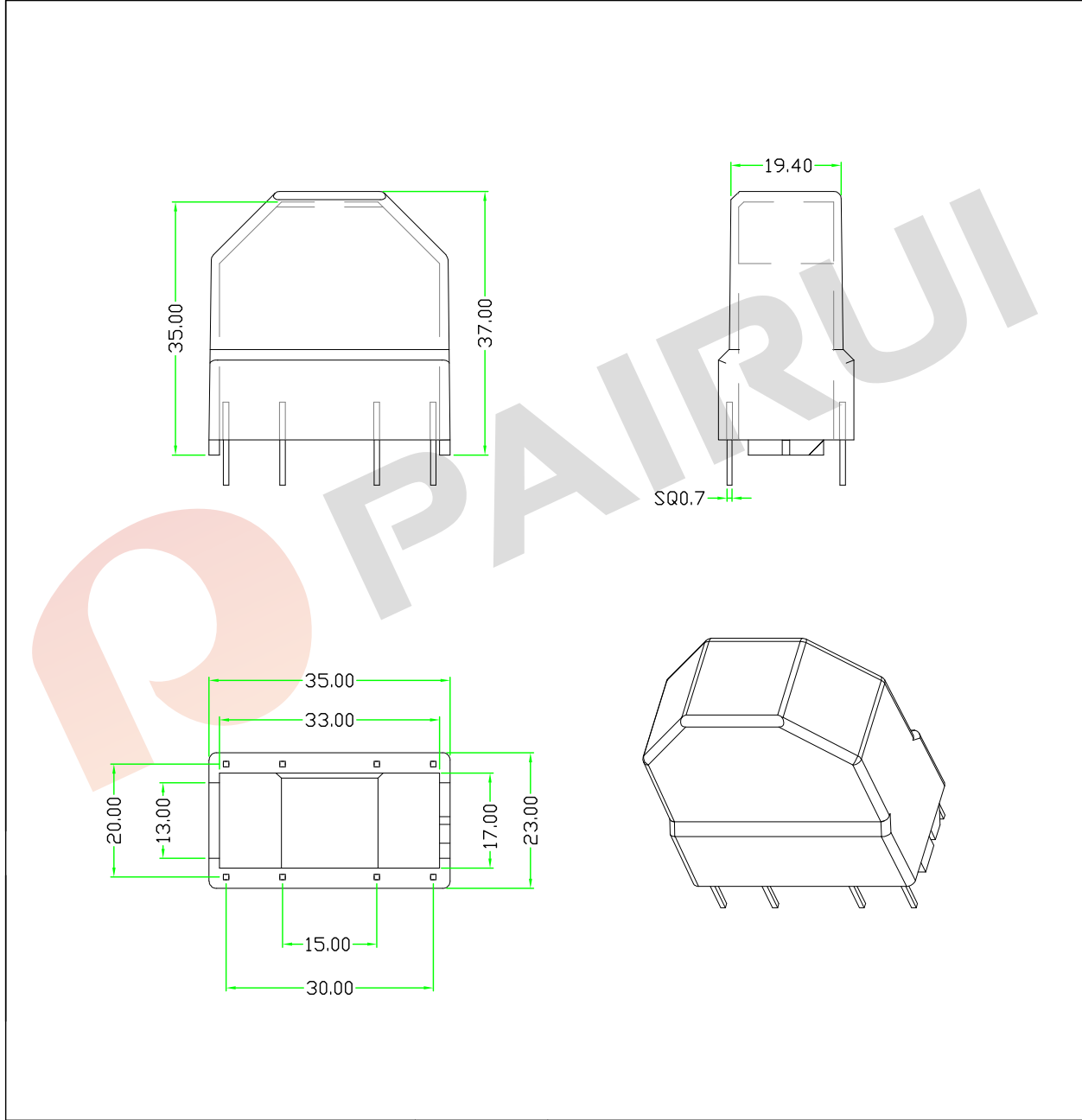


General data 8-pins T29 series case

PARAMETER	SPECIFICATION
Case material	polybutyleneterephthalate (PBT), glass reinforced, flame retardant in accordance with "UL 94V-0"; UL file number E59481
Pin material	copper-tin alloy (CuSn), tin (Sn) plated
Maximum operating temperature	130 °C, "IEC 60085", class B
Resistance to soldering heat	"IEC 60068-2-20", Part 2, Test Tb, method 1B, 350 °C, 3.5 s
Soldeerability	"IEC 60068-2-20", Part 2, Test Ta, method 1



Tolerances unless otherwise specified: $0 < L \leq 4 \pm 0.10$ $4 < L \leq 16 \pm 0.20$ $16 < L \leq 45 \pm 0.30$ $45 \leq L \pm 0.40$ Pin Dim: $\pm 0.05$ Thickness: $\pm 0.20$ Pin Pitch: $\pm 0.20$	Dimensions: (mm)	<b>TYPE NUMBER: CASE-16-005-8P</b>	
		Mould No.: Code No.: <b>FAY01033</b>	Bobbin material: <b>PBT/4830 NC</b> Available for Fuan core: <b>T29 Series</b>
<b>Fuan Electronics</b> TEL :0086-514-87693589 EML :sales@fuantronics.net WEB:www.fuantronics.net	Make: <b>P.Xiao</b>	Material Number: <b>A4L590000036</b>	
	Checked: <b>Beson. zhan</b>	Document/Rev: <b>00</b>	
	Approved: <b>Anson. zhan</b>	Date of Recognition: <b>Dec./07/2019</b>	