

DMV-30W SERIES, 30WATT, 4:1 INPUT RANGE
FEATURES:

- ✓ 2 year warranty
- ✓ Wide(4:1) input range
- ✓ Six-side shielded metal case
- ✓ Low ripple and noise
- ✓ Over current and short circuit protection
- ✓ Remote on/off
- ✓ Adjustable output voltage



Model	Input voltage (Vdc)	Output voltage (Vdc)	Output current (A)	Efficiency Typ.
DMV30W-2411	24(9~36)	5	6	82%
DMV30W-2415		9	3.3	78%
DMV30W-2412		12	2.5	87%
DMV30W-2413		15	2	87%
DMV30W-2414		24	1.25	87%
DMV30W-2421		±5	3	82%
DMV30W-2423		±9	1.65	78%
DMV30W-2422		±12	1.25	87%
DMV30W-2424		±15	1	78%
DMV30W-2425		±24	0.625	78%
DMV30W-4811		48(18~72)	5	6
DMV30W-4815	9		3.3	78%
DMV30W-4812	12		2.5	87%
DMV30W-4813	15		2	87%
DMV30W-4814	24		1.25	87%
DMV30W-4821	±5		3	82%
DMV30W-4823	±9		1.65	78%
DMV30W-4822	±12		1.25	87%
DMV30W-4824	±15		1	78%
DMV30W-4825	±24		0.625	78%

Notes:

1. Other input and output models may available on request;
2. Above models are default to metal case.

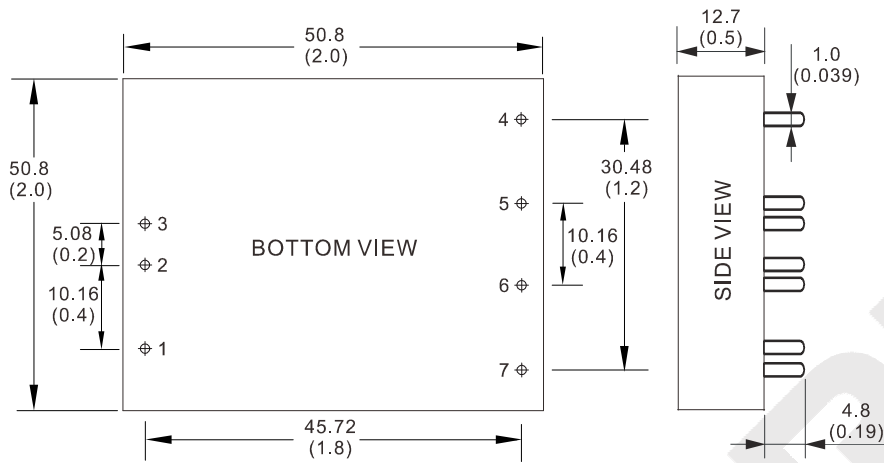
DMV-30W SERIES, 30WATT, 4:1 INPUT RANGE
ELECTRICAL

Input voltage range	18V	9-36Vdc
	36V	18-72Vdc
Remote control (Low level remote)	High level or vacant	Turn on
	Low level or connect ground	Turn off
Output voltage accuracy	---	Vo1, Vo2: $\pm 1\%$, $\pm 3\%$
Output voltage adjustable	---	$\pm 10\%$ max.
Line regulation	Nominal Load, full voltage	Vo1, Vo2: $\pm 0.2\%$, $\pm 1.5\%$
Load regulation	20% ~ 100% rated load	Vo1, Vo2: $\pm 0.5\%$, $\pm 4\%$
Dynamic response (transient/recovery time)	5%-50%-75% load capability	$\Delta V_{o1}/\Delta t$: $\pm 4.0\%/500\mu s$
Ripple and noise	20MHz BM, full load	Vo \leq 5.0V, $\leq 50mVp-p$
		Vo \geq 48V, $\leq 180mVp-p$
		Other, $\leq 100mVp-p$
Isolation voltage ($< 2mA/min$)	Input to output	1500Vdc
	Input to case	500Vdc
Switching frequency	300KHz	330KHz max.
Turn-on delay time	---	$\leq 200ms$
Operating temperature range	Free air	-25°C to +55°C
Storage temperature range	---	-45°C to +105°C
Input under voltage protection	When input voltage is lower than the low input voltage	Auto-recovery
Over current protection	---	Auto-recovery
Short circuit protection	---	Continuous auto-recovery
Cooling method	---	Cooling by air convection
Relative humidity	---	10%-90% max.
Weight	---	61.8g
MTBF	Bellcore TR-332, 25°C	2×10^5 Hrs

Notes: Unless otherwise specified, all the parameters of the test conditions are as follows: ambient temperature 25°C, the nominal input voltage, pure resistive nominal load.

DMV-30W SERIES, 30WATT, 4:1 INPUT RANGE

MECHANICAL



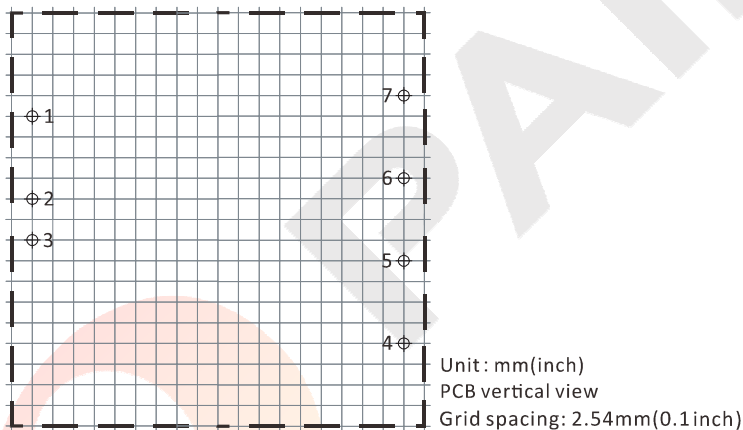
CONNECTION

PIN #	SINGLE	DUAL
1	REM	REM
2	-Vin	-Vin
3	+Vin	+Vin
4	No pin	+Vo1
5	+Vo	COM
6	GND	-Vo2
7	TRIM	TRIM

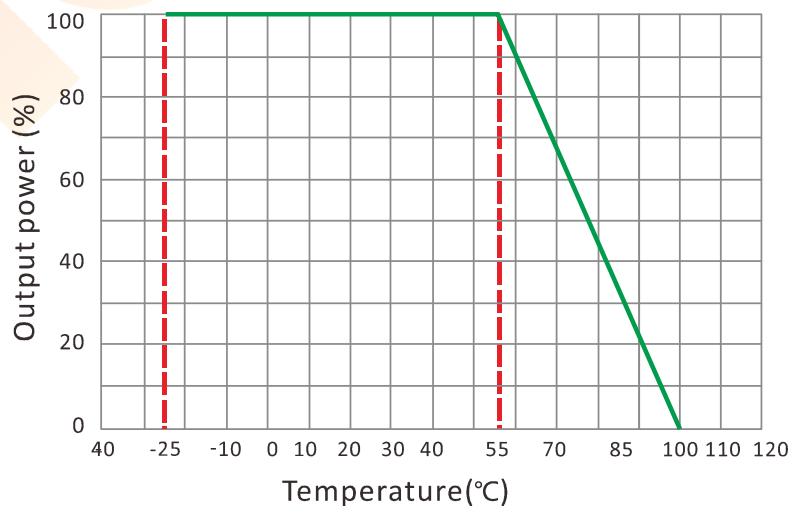
Note:

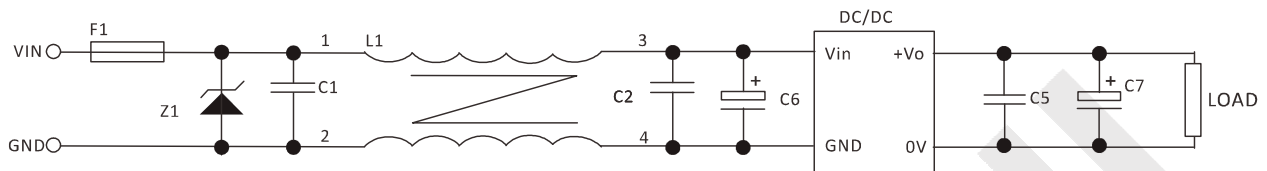
* Unit is mm(inch).

LAYOUT



ELECTRICAL CURVE



DMV-30W SERIES, 30WATT, 4:1 INPUT RANGE
NOTES
RECOMMENDED TEST AND APPLICATION CIRCUIT


1. TVS&FUSE be helpful with over voltage protection and inrush limiting. Recommended FUSE better be 1.5~2times of the rated current .
2. The input filter capacitor C6 could select the aluminum electrolytic capacitors or tantalum capacitors, and the withstand voltage should be greater than the highest input voltage. Recommended capacitor should be between 22 μ F~100 μ F.
3. C1,C2 for the input filter capacitor,0.1~1 μ F high-frequency ceramics capacitor or chip capacitor are recommended. The withstand voltage of output filter C5, C7 should be greater than the highest output voltage. Recommended capacitor of C7 better within 100 μ F and C5 connected with the chip to reduce the input voltage peak, recommended 0.1~1 μ F high-frequency ceramics capacitor or chip capacitor.