

DNV-3W SERIES, 3WATT, 4:1 INPUT RANGE
FEATURES:

- ✓ 1500Vdc isolation voltage
- ✓ Metal/Plastic case with low ripple and noise
- ✓ Short circuit and input under voltage protection
- ✓ Operating temperature range -40°C to +85°C
- ✓ 3 year warranty



Model	Input voltage (Vdc)	Output voltage (Vdc)	Output current (mA)	Efficiency Typ.
DNV3W-2411	24(9~36)	5	600	78%
DNV3W-2415		9	333	77%
DNV3W-2412		12	250	81%
DNV3W-2414		15	200	80%
DNV3W-2413		24	125	81%
DNV3W-2421		±5	300	76%
DNV3W-2425		±9	167	79%
DNV3W-2422		±12	125	80%
DNV3W-2423		±15	100	80%
DNV3W-2424		±24	60	81%
DNV3W-4811	48(18~72)	5	600	76%
DNV3W-4815		9	333	80%
DNV3W-4812		12	250	82%
DNV3W-4814		15	200	80%
DNV3W-4813		24	125	81%
DNV3W-4821		±5	300	78%
DNV3W-4825		±9	167	79%
DNV3W-4822		±12	125	82%
DNV3W-4823		±15	100	81%
DNV3W-4824		±24	60	82%

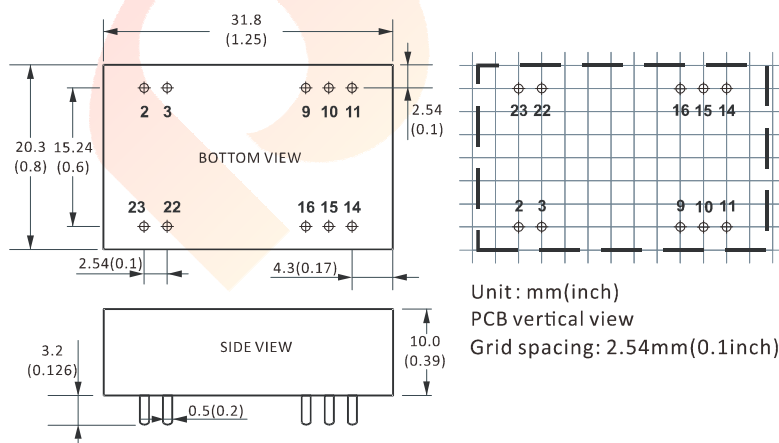
Notes:

1. other input and output models may available on request;
2. Above models are default to plastic case, you may request for metal case, plus "M" in the suffix;
3. Add suffix -SP2 for special pin definition.

DNV-3W SERIES, 3WATT, 4:1 INPUT RANGE
ELECTRICAL

Output voltage accuracy (Full voltage, full load)	+Vo -Vo	±2% max. ±3% max.
Line regulation	Nominal Load, full voltage	±0.5% max.
Load regulation	20% ~ 100% full load	±1% max.
Ripple and noise	20MHz BM, full load	100mVp-p max.
Operating frequency	Typical value	100KHz typ.
Isolation voltage (<1mA/min)	Input to output	1500Vdc
Isolation resistance	---	1000mΩ
Temperature coefficient	---	±0.03%/°C max.
Operating temperature range	---	-40°C to +85°C
Storage temperature range	---	-55°C to +125°C
Short circuit protection	---	Continuous, auto-recovery
Relative humidity	---	10%-90%
MTBF	Bellcore TR-332, 25°C	1000Khrs
Weight	---	18g

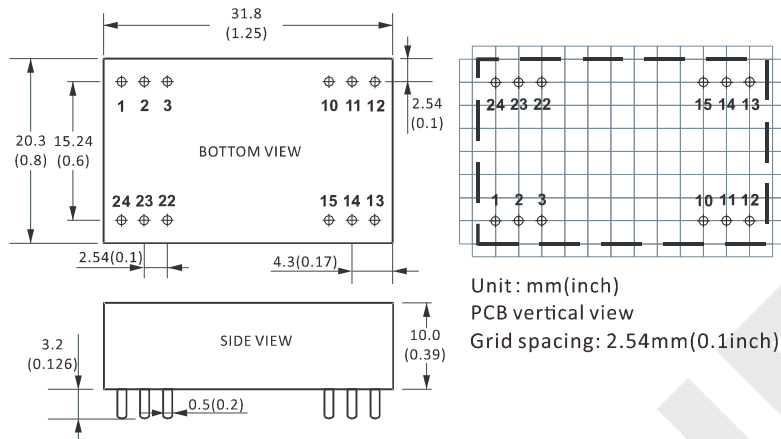
Notes: All the parameters are measured at 25°C ambient temperature, humidity < 75%, nominal input voltage, full load and after warm-up, unless otherwise specified.

MECHANICAL

CONNECTION

PIN #	SINGLE	DUAL
2	GND	GND
3	GND	GND
9	NC	0V
10	No Pin	No Pin
11	NC	-Vo2
14	+Vo	+Vo1
15	No Pin	No Pin
16	0V	0V
22	+Vin	+Vin
23	+Vin	+Vin

Note:

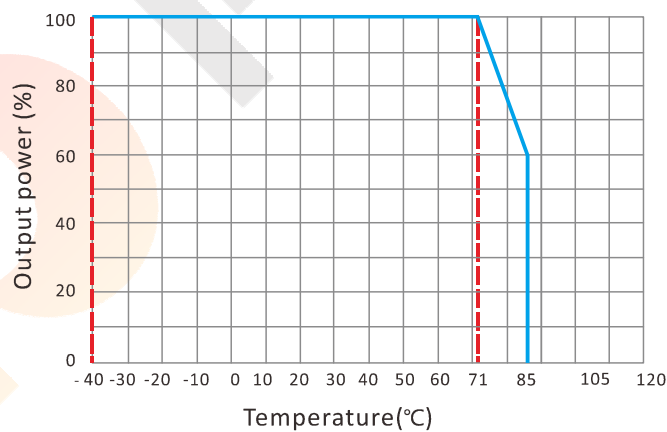
* Unit is mm(inch)

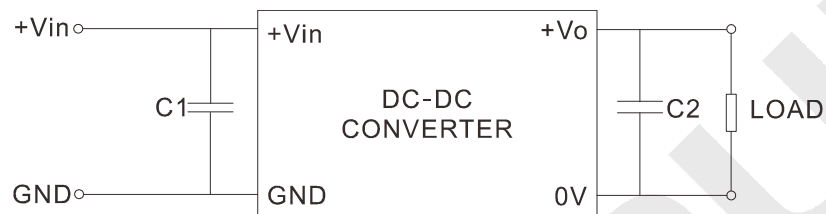
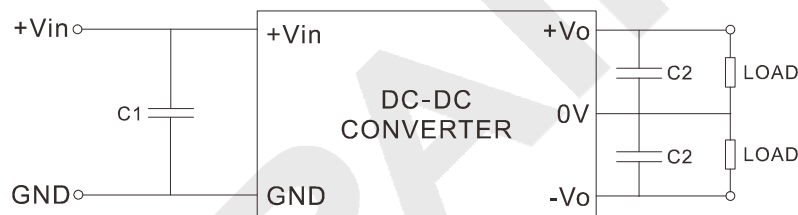
DNV-3W SERIES, 3WATT, 4:1 INPUT RANGE
MECHANICAL

"-SP2" CONNECTION

PIN #	DUAL
1	+Vin
2	+Vin
3	No Pin
10	0V
11	0V
12	NC
13	-Vo
14	No Pin
15	+Vo
22	No Pin
23	-Vin
24	-Vin

Note:

* Unit is mm(inch).

ELECTRICAL CURVE


DNV-3W SERIES, 3WATT, 4:1 INPUT RANGE
NOTES
RECOMMENDED TEST AND APPLICATION CIRCUIT
SINGLE OUTPUT

DUAL OUTPUT

CAPACITOR SELECTION

INPUT VOLTAGE	C1	SINGLE OUTPUT	C2	DUAL OUTPUT	C2
24VDC	22 μ F	5VDC	470 μ F	\pm 5VDC	220 μ F
48VDC	10 μ F	9VDC	220 μ F	\pm 9VDC	100 μ F
--	--	12VDC	100 μ F	\pm 12VDC	47 μ F
--	--	15VDC	100 μ F	\pm 15VDC	47 μ F
--	--	24VDC	47 μ F	\pm 24VDC	22 μ F