

DNV-5W SERIES, 5WATT, 4:1 INPUT RANGE
FEATURES:

- ✓ 1500Vdc isolation voltage
- ✓ Metal/Plastic case with low ripple and noise
- ✓ Short circuit and input under voltage protection
- ✓ Operating temperature range -40°C to +85°C
- ✓ 3 year warranty



Model	Input voltage (Vdc)	Output voltage (Vdc)	Output current (mA)	Efficiency Typ.
DNV5W-2411	24(9~36)	5	1000	81%
DNV5W-2415		9	555	80%
DNV5W-2412		12	410	81%
DNV5W-2413		15	330	81%
DNV5W-2414		24	210	82%
DNV5W-2421		±5	500	79%
DNV5W-2425		±9	278	80%
DNV5W-2422		±12	205	81%
DNV5W-2423		±15	165	82%
DNV5W-2424		±24	100	83%
DNV5W-4811	48(18~72)	5	1000	81%
DNV5W-4815		9	555	81%
DNV5W-4812		12	410	81%
DNV5W-4813		15	330	83%
DNV5W-4814		24	210	83%
DNV5W-4821		±5	500	79%
DNV5W-4825		±9	278	80%
DNV5W-4822		±12	205	81%
DNV5W-4823		±15	165	82%
DNV5W-4824		±24	100	83%

Notes: other input and output models may available on request.

Above models are default to plastic case, you may request for the models with metal case, plus "M" in the suffix.

ELECTRICAL

Output voltage accuracy (Full voltage, full load)	+Vo	±2% max.
	-Vo	±3% max.
Line regulation	Nominal Load, full voltage	±0.5% max.
Load regulation	20% ~ 100% full load	±1% max.
Ripple and noise	20MHz BM, full load	100mVp-p max.
Operating frequency	Typical value	300KHz max.

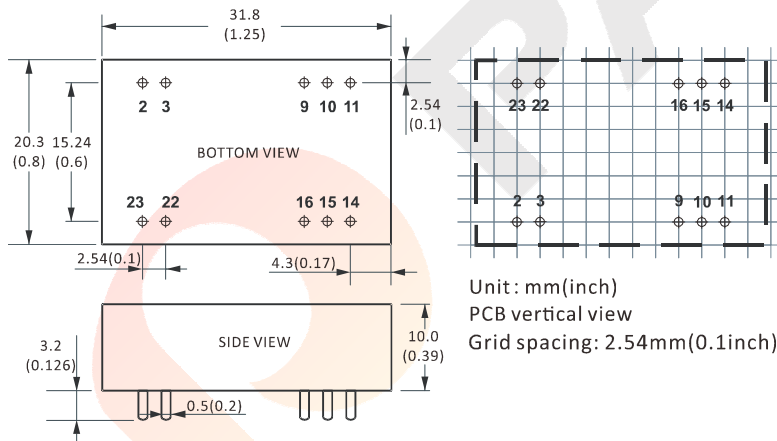
DNV-5W SERIES, 5WATT, 4:1 INPUT RANGE

ELECTRICAL

Isolation voltage (<1mA/min)	Input to output	1500Vdc
Isolation resistance	---	1000mΩ
Temperature coefficient	---	±0.03%/°C max.
Operating temperature range	---	-40°C to +85°C
Storage temperature range	---	-55°C to +125°C
Short circuit protection	---	Continuous, auto-recovery
Relative humidity	---	10%-90%
MTBF	Bellcore TR-332, 25°C	1000KHrs
Weight	---	18g

Notes: All the parameters are measured at 25°C ambient temperature, humidity < 75%, nominal input voltage, full load and after warm-up, unless otherwise specified.

MECHANICAL

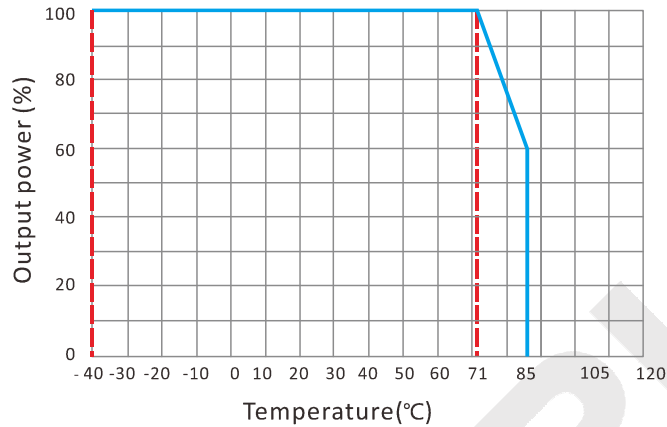
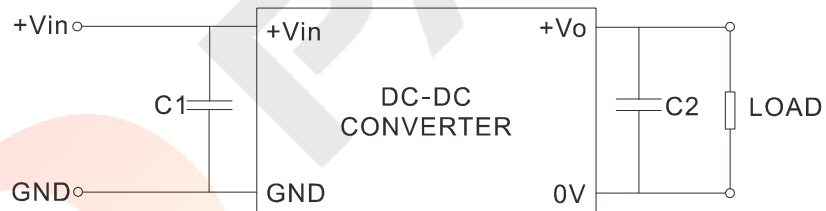
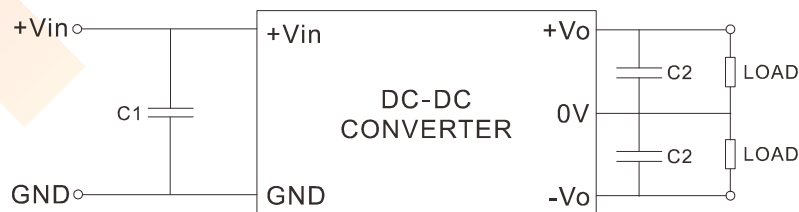


CONNECTION

PIN #	SINGLE	DUAL
2	GND	GND
3	GND	GND
9	NC	0V
10	No Pin	No Pin
11	NC	-Vo2
14	+Vo	+Vo1
15	No Pin	No Pin
16	0V	0V
22	+Vin	+Vin
23	+Vin	+Vin

Note:

* Unit is mm(inch).

DNV-5W SERIES, 5WATT, 4:1 INPUT RANGE
ELECTRICAL CURVE

NOTES
RECOMMENDED TEST AND APPLICATION CIRCUIT
SINGLE OUTPUT

DUAL OUTPUT


DNV-5W SERIES, 5WATT, 4:1 INPUT RANGE

NOTES

CAPACITOR SELECTION

INPUT VOLTAGE	C1	SINGLE OUTPUT	C2	DUAL OUTPUT	C2
24VDC	100 μ F	5VDC	1000 μ F	\pm 5VDC	680 μ F
48VDC	47 μ F	9VDC	470 μ F	\pm 9VDC	330 μ F
--	--	12VDC	330 μ F	\pm 12VDC	220 μ F
--	--	15VDC	330 μ F	\pm 15VDC	220 μ F
--	--	24VDC	220 μ F	\pm 24VDC	100 μ F