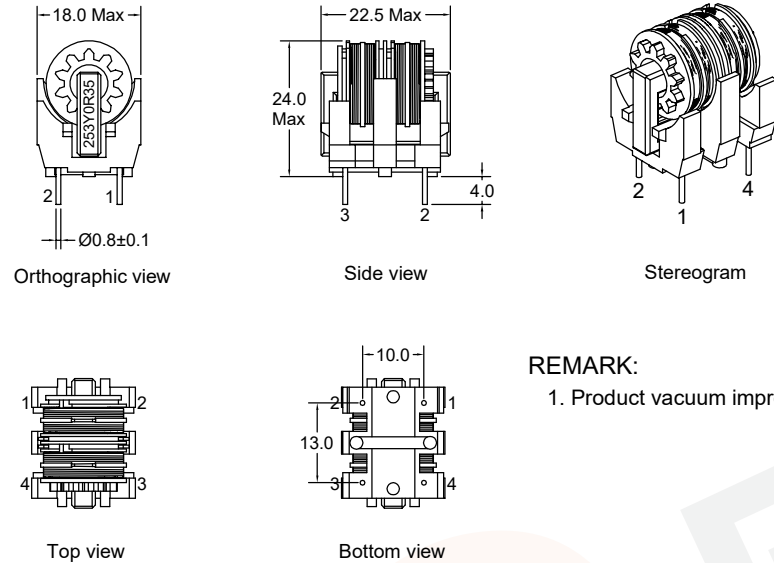


P/N: FACM20V-253Y0R35



Outline Dimensions (Unit:mm)

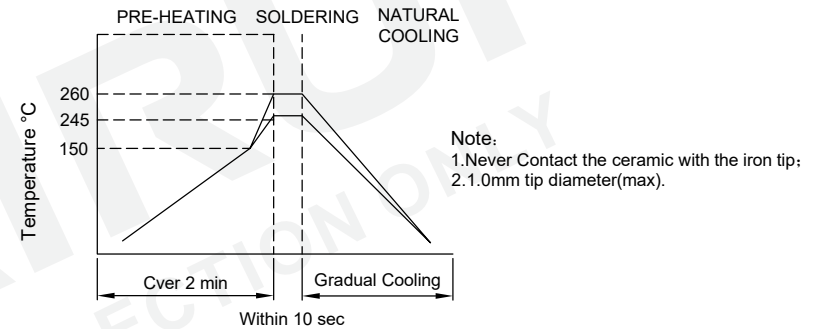


REMARK:
1. Product vacuum impregnation.

Electrical Schematic



Wave Soldering



Electrical Characteristics

Inductance : L1-2=4-3= 25.0mH Min,at 10KHz,0.1V.
D.C.Resistance : 1-2= 1.540 ohms Max.
4-3= 1.540 ohms Max.
Rated Current : 0.35A
Turns Ratio : Wdg1:Wdg2=1:1±1%,at 20KHz,1V.
Hipot : Coil-Coil : 1500VAC/3mA/2S.

General Properties:

Operating Temperature:-40°C to +105°C
(Temperature rise included).
Storage Temperature:-25°C to +85°C.
Storage Humidity:RH10%~70%.
Weight:≈10.0g.

List of UL Certificate:

No.	Part Name	Mat'l Description	Supplier	UL Number
1	Bobbin	UT20-4S/PBT	Chang Chun Plastics Co Ltd	E59481
2	Base	UT20/T375J	Chang Chun Plastics Co Ltd	E59481
3	Copper wire	2UEW-F/155C	Dong Guan YiDa Industrial Co Ltd	E344055
		2UEW-F/155C	Elektrisola Hangzhou Co Ltd	E258243
4	Core	UT20 TS10	TDG Holding Co Ltd	N/A
		UT20 GH10	Su Zhou Guanda Magnet Co Ltd	N/A
5	Varnish	T-4260(a)/MW80-C	SuZhou TaiHu Electric Advanced Material Co Ltd	E228349

				Tianchang Fuan Electronic Co Ltd www.fuantronics.net TEL: +86-550-7814888 FAX: +86-550-7831133		Make: Qiumei.Liu Checked: Beson. zhan Approved: Anson. zhan	DRAWING TITLE UT20V COMMON-CODE FILTER INDUCTOR Material Number: A24CM20VS010	Customer P/N: Document/Rev: 00 Specification Sheet: 1 of 1 Date of Recognition: Mar./13/2020
REV	DESCRIPTION	APPD	DATE		Tolerances unless otherwise specified: (X)±0.50 (XX)±0.25 Unit of measurement: mm			