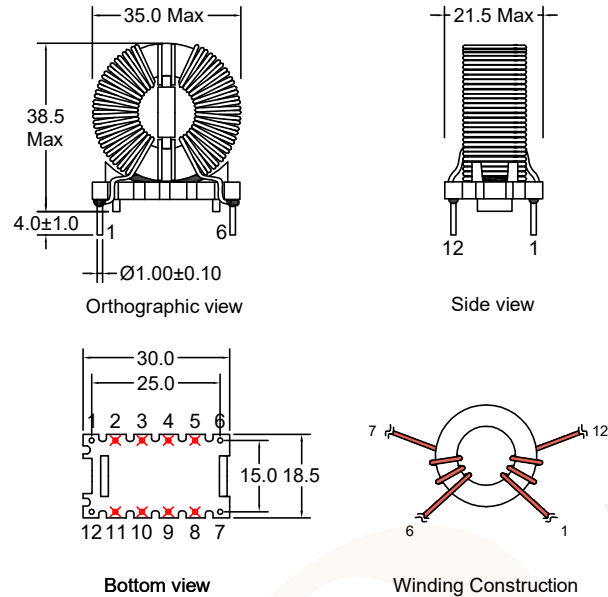


P/N: FACM26BV-123Y10R0-A

Outline Dimensions(Unit:mm)



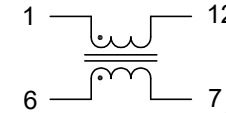
Remarks:

1. Remove pin 2,3,4,5,8,9,10,11.

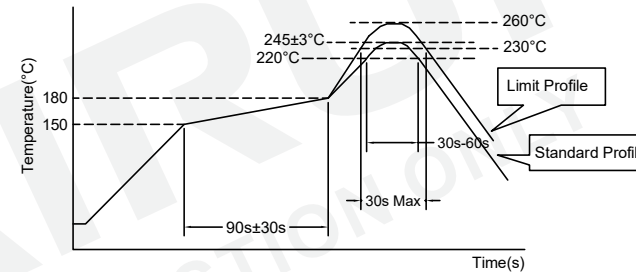
Electrical Characteristics(at 25°C)

Inductance : L1-12=6-7= 12mH +50%-30%,at 10KHz,0.1V.
 Rated current: 10.0Amps.
 D.C.Resistance : 1-12= 0.015 ohms Typ.
 6-7= 0.015 ohms Typ.
 Turns Ratio : Coil:Coil= 1:1±2%,at 20KHz,1V.
 Hipot : Coil-Coil : 1500VAC/5mA/2Second.

Electronical Schematic



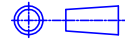
Recommended Soldering Temperature Graph.



| | Standard Profile | Standard Profile |
|------------------|---------------------|---------------------|
| Pre-heating | 150~180°C,90s±30s | |
| Heating | above 220°C,30s-60s | above 240°C,30s Max |
| Peak temperature | 245°C±3°C | 260°C,10s |
| Cycle of reflow | 2 times | 2 times |

List of UL Certificate:

| Part Name | Mat'l Description | Supplier | UL Number |
|-------------|-------------------|--|-----------|
| Base | Base-029/T375J | Chang Chun Plastics Co Ltd | E59481 |
| Copper wire | 2UEW-F/155C | Elektrisola Hangzhou Co Ltd | E258243 |
| Core | 1K107 | Dongguan Xinda magnetic material technology Co Ltd | N/A |
| Epoxy | E-500 | DongGuan Eatto Electronic Material Co Ltd | E218090 |

| | | | | | | | | | | | | | |
|-----|-------------|------|------|---|--|--|--|---|--|---|--|---|--|
| | | | | Tianchang Fuan Electronic Co Ltd www.fuantronics.net TEL: +86-550-7814888 FAX: +86-550-7831133 | |  Tolerances unless otherwise specified: (X)±0.50 (XX)±0.25 Unit of measurement: mm | | Make: Qiumei.Liu Checked: Beson. zhan Approved: Anson. zhan | | DRAWING TITLE CURRENT-COMPENSATED RING CORE DOUBLE CHOKES Material Number: A31CM026S080 | | Customer P/N: Document/Rev: 00 Specification Sheet: 1 of 1 Date of Recognition: Jan./02/2020 | |
| REV | DESCRIPTION | APPD | DATE | | | | | | | | | | |