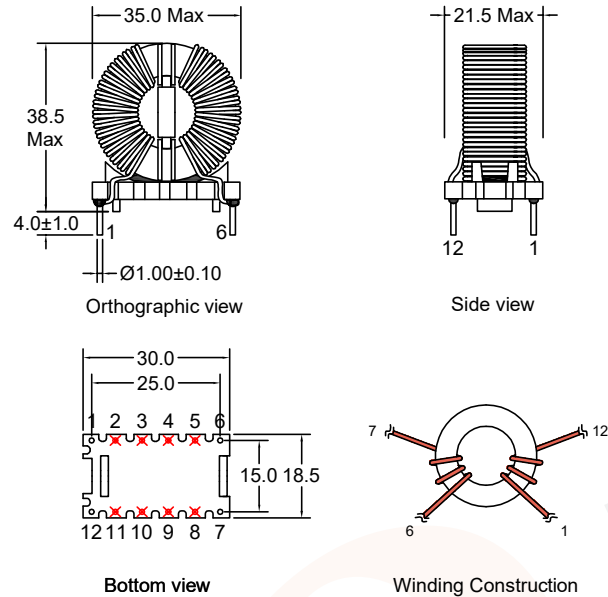


P/N: FACM26BV-302Y23R0-A

Outline Dimensions(Unit:mm)



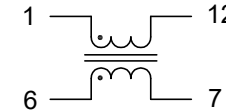
Remarks:

1. Remove pin 2,3,4,5,8,9,10,11.

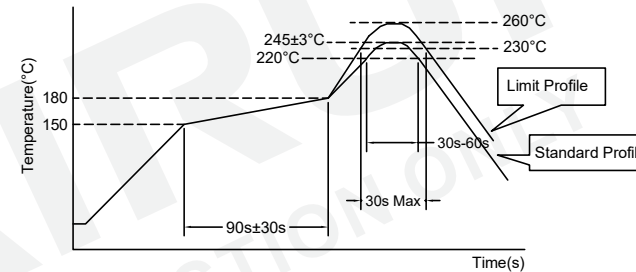
Electrical Characteristics(at 25°C)

Inductance : L1-12=6-7= 3.0mH +50%-30%,at 10KHz,0.1V.
 Rated current: 23.0Amps.
 D.C.Resistance : 1-12= 0.004 ohms Typ.
 6-7= 0.004 ohms Typ.
 Turns Ratio : Coil:Coil= 1:1±2%,at 20KHz,1V.
 Hipot : Coil-Coil : 1500VAC/5mA/2Second.

Electronical Schematic



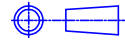
Recommended Soldering Temperature Graph.



	Standard Profile	Standard Profile
Pre-heating	150~180°C,90s±30s	
Heating	above 220°C,30s-60s	above 240°C,30s Max
Peak temperature	245°C±3°C	260°C, 10s
Cycle of reflow	2 times	2 times

List of UL Certificate:

Part Name	Mat'l Description	Supplier	UL Number
Base	Base-029/T375J	Chang Chun Plastics Co Ltd	E59481
Copper wire	1PEW-H/180C	Elektrisola Hangzhou Co Ltd	E258243
Core	1K107	Dongguan Xinda magnetic material technology Co Ltd	N/A
Epoxy	E-500	DongGuan Eatto Electronic Material Co Ltd	E218090

				Tianchang Fuan Electronic Co Ltd www.fuantronics.net TEL: +86-550-7814888 FAX: +86-550-7831133		 Tolerances unless otherwise specified: (X)±0.50 (XX)±0.25 Unit of measurement: mm		Make: Qiumei.Liu Checked: Beson. zhan Approved: Anson. zhan		DRAWING TITLE CURRENT-COMPENSATED RING CORE DOUBLE CHOKES Material Number: A31CM026S120		Customer P/N: Document/Rev: 00 Specification Sheet: 1 of 1 Date of Recognition: Jan./02/2020	
REV	DESCRIPTION	APPD	DATE										