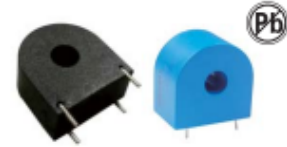


## AC CURRENT TRANSFORMER FACT006P-CT102 SERIES



### FEATURES :

Low profile, directly to PCB  
PBT 94V0 Case  
burn-resistant epoxy resin, stable

### APPLICATION :

Power Meter Class 0.2, 0.5, and 1.0 for accurate measurement, Indirect and Direct Type  
Power Calibrator and Transducer  
Street Lighting Control System  
Monitoring and Protection Relay  
Ground Fault CT or Grounded Neutral Sensor  
Current & Power Measurement  
High-end Digital Protection Relay  
High-end Industrial Power Sensor

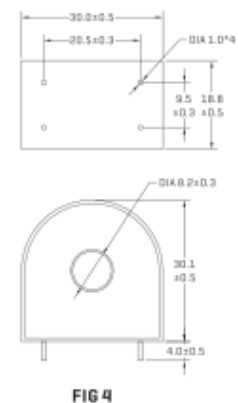
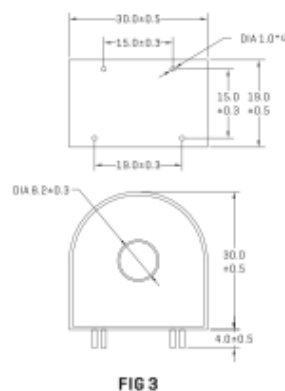
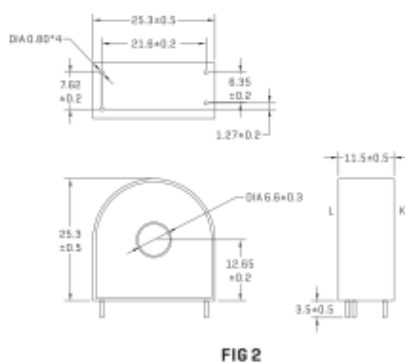
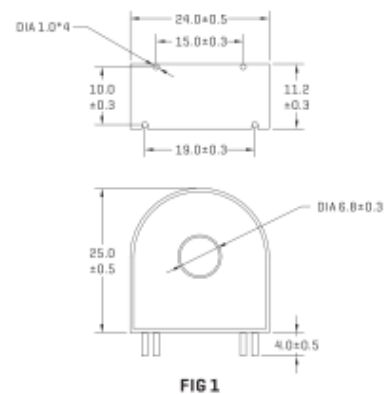
### CHARACTERISTICS:

Rated Current: 0.1A-200A  
Accuracy: 0.1 Class  
Phase Shift Change: <math>\lt; 12^\circ</math> during 2% -120% Ib  
Linearity: 0.1L, 0.2L  
Operation frequency: 20Hz - 10KHz  
Operation Temperature: -40°C to +80°C  
Hi-pot Test between Primary and Secondary: 4KV/1min  
Insulation Resistance: 500Mohm[500VDC]

### ELECTRICAL CHARACTERISTICS:

Model No.	Current [A]	Turns Ratio	DC Resistance [ohms]	Inductance (50Hz/0.5V) [H]	FIG
FACT006P-C	6	1:2000	95±15%	160±30%	FIG1
FACT006P-C1	6	1:2500	125±15%	250±30%	FIG1
FACT006P-C2	6	1:1500	53±15%	100±30%	FIG1
FACT010P-C1	10	1:2500	125±15%	250±30%	FIG1
FACT010P-C2	10	1:1500	53±15%	100±40%	FIG1
FACT010P-C6	10	1:2000	95±15%	160±30%	FIG1
FACT020P-C1	20	1:2500	125±15%	250±30%	FIG1
FACT020P-C6	20	1:1000	28±15%	45±40%	FIG1
FACT100P-C1	40	1:2500	125±15%	250±30%	FIG1
FACT100P-C2	40	1:2000	95±15%	160±30%	FIG1
FACT101P2	60	1:2000	95±15%	160±30%	FIG1
FACT006P-B1	6	1:2000	114±20%	238±30%	FIG2
FACT101P	60	1:2000	95±15%	160±30%	FIG3
FACT102-A1	80	1:1000	235±15%	95±30%	FIG4

### SHAPE AND DIMENSIONS



DIMENSIONS:MM