

AC CURRENT TRANSFORMER FACT106W2,CT108W1 SERIES



FEATURES :

Low profile, directly to PCB
PBT 94V0 Case
burn-resistant epoxy resin, stable

APPLICATION :

Power Meter Class 0.2, 0.5, and 1.0 for accurate measurement, Indirect and Direct Type
Power Calibrator and Transducer
Street Lighting Control System
Monitoring and Protection Relay
Ground Fault CT or Grounded Neutral Sensor
Current & Power Measurement
High-end Digital Protection Relay
High-end Industrial Power Sensor

CHARACTERISTICS:

Rated Current: 60A-100A
Accuracy: 0.1 Class
Phase Shift Change: $C12^\circ$ during 2%-120% Ib
Linearity: 0.1L, 0.2L
Operation frequency: 20Hz-10KHz
Operation Temperature: -40°C to +80°C
Hi-pot Test between Primary and Secondary: 4KV/1min
Insulation Resistance: 1000Mohm Min(500VDC)

ELECTRICAL CHARACTERISTICS:

| Mode No. | Current [A] | Turns Ratio | DC Resistance [ohms Max] | FIG |
|-----------|-------------|-------------|--------------------------|------|
| FACT106W2 | 60 | 1:2000 | 20 | FIG1 |
| FACT108W1 | 100 | 1:2500 | 12.5 | FIG2 |

SHAPE AND DIMENSIONS

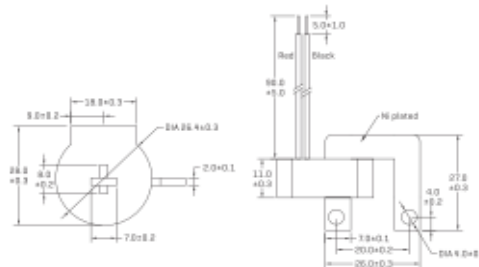


FIG 1

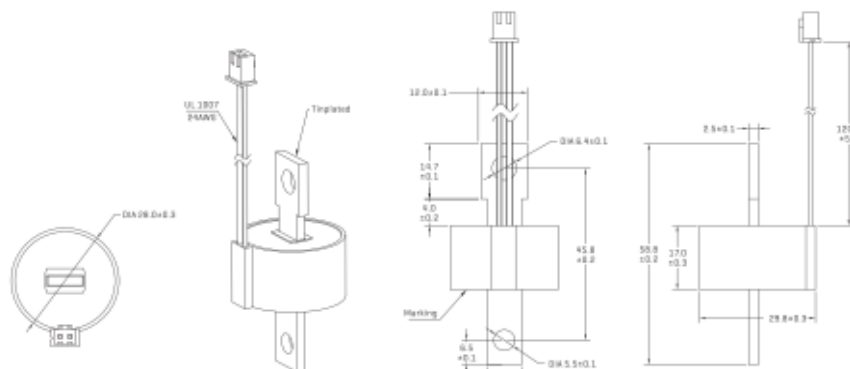


FIG 2

DIMENSIONS:MM