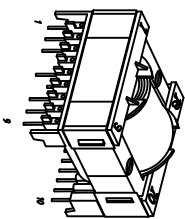
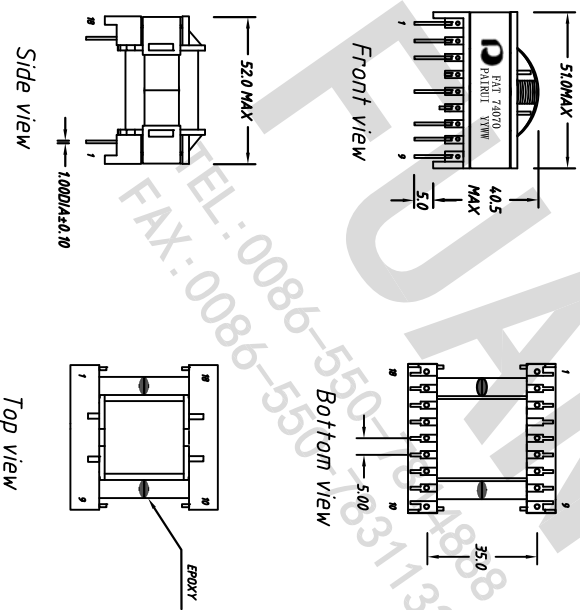
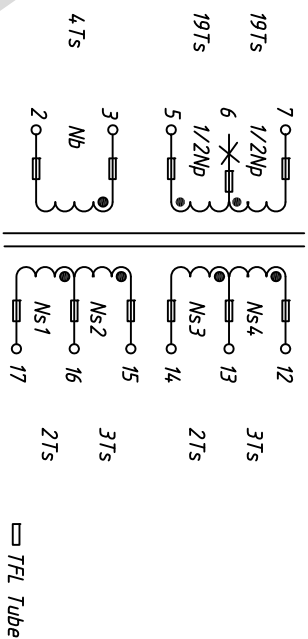


Mechanical Dimensions : (mm)



Coil structure and schematic



Electrical Specifications:

Inductance : L5-7 300 uH ±10% @1KHz 0.3 V

Dc-resistance: 5-7 150 mohms Max

3-2 45.0 mohms Max

12-14 15.0 mohms Max

15-17 15.0 mohms Max

Hi-Pot : 4000VAC/5mA/1Second

Pri- Sec 4000VAC/5mA/1Second

Bobbin: ETD44-18P /T375J.

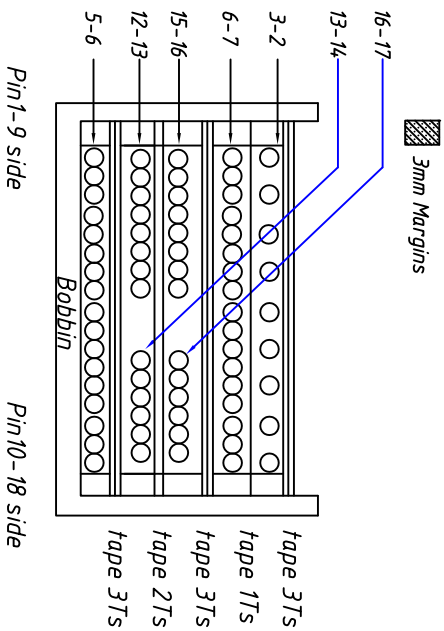
Core: FUAN ETD44-P3

Clip: Plating zinc

Wire: UEW-B

Varnish: 1032BH/155C.

Winding Construction:



Note: Temp 20°C 48% RH. RoHS compliant.

PROPRIETARY

Document is the property of FUAN Inc & is not allow to be duplicated without authorization

 <p>TEL: +86-550-7814888 Fax: +86-550-7831133 www.fuantronics.com</p>		Model: ETD44 Flyback Transformer PAIRUI P/N: FAJ74070		Customer P/N: DOCUMENT NO./Rev.: 110102400/00	
Unless Otherwise Specified TOLERANCES: .X : ±0.50 .XX : ±0.25 Dimensions in mm		DWN . Yuing. Yu CHK . Anson. zhan APP . Louis. Lin		DATE: Jan./21/2011	

