



# TOROIDAL POWER TRANSFORMER:

## Electrical Specifications (@25C):

1. Power: 25 to 2500VA
2. Input Voltage: Series: 230VAC, 50/60Hz Parallel: 115VAC, 50/60Hz
3. Voltage Regulation: 2.5%-12% TYP from full load to no load.
4. Hipot: 4000VAC, Primary to Secondary

## Construction:

The toroidal construction inherently helps reduce stray fields, increases efficiency and minimizes size compared to traditional EI transformers. Built with Class B (130°) insulation system.

## Safety:

World Series Transformers are designed and manufactured to meet most International Safety agency standards.

## Connections:

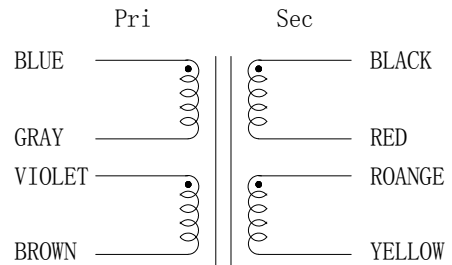
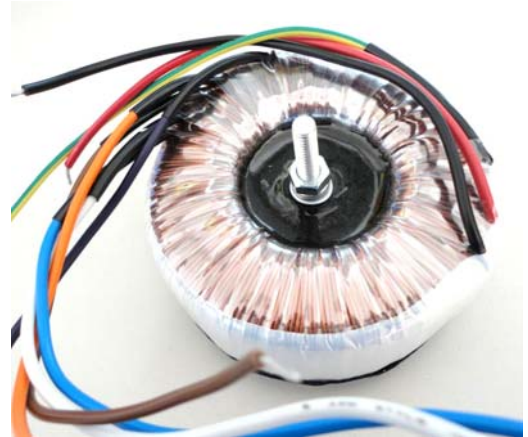
Transformer is provided with 12" (305mm) long, 0.50" (12.7mm) stripped and tinned, stranded UL 1015 lead wire.

Input1: Parallel - BLUE and BROWN, Jumper BLUE to VIOLET, GRAY to BROWN.

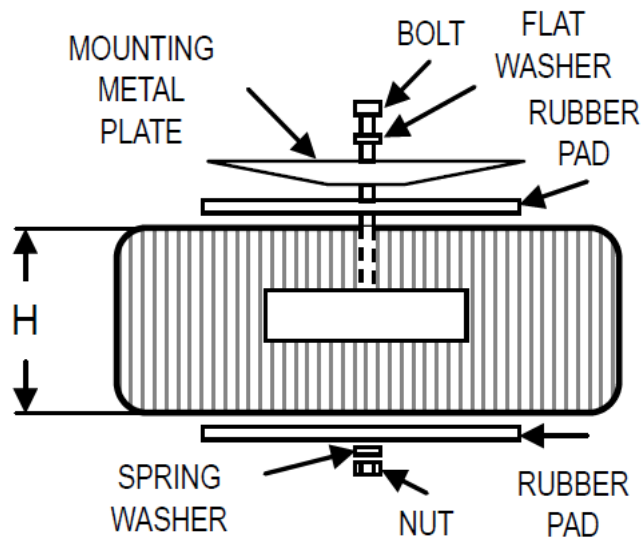
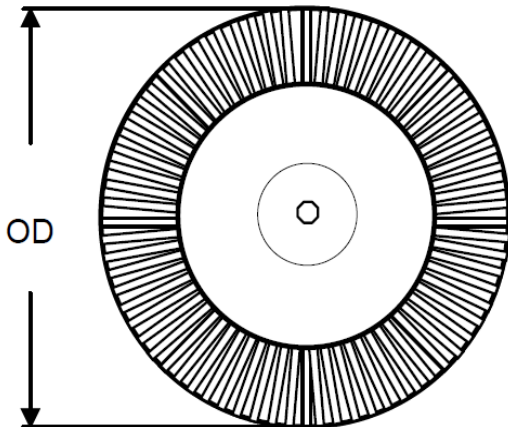
Series - BLUE and BROWN, Jumper GRAY to VIOLET

Output1: Series - BLACK and YELLOW, Jumper RED to ORANGE

Parallel - BLACK and YELLOW, Jumper BLACK to ORANGE, RED to YELLOW



SCHEMATIC



\* Upon printing, this document is considered "uncontrolled". Please contact Fuantronics' website for the most current version.

# Tianchang Fuan Electronics

## TOROIDAL POWER TRANSFORMER:

| Fuan<br>P/N  | VA   | Secondary        |               | Regulation | Temp rise<br>deg (C) |
|--------------|------|------------------|---------------|------------|----------------------|
|              |      | Series           | Parallel      |            |                      |
| FATR25-12    | 25   | 12V CT @ 2.08A   | 6.0V @ 4.16A  | 12.00%     | 30                   |
| FATR25-18    | 25   | 18V CT @ 1.39A   | 9.0V 2.78A    | 12.00%     | 30                   |
| FATR25-24    | 25   | 24V CT @ 1.04A   | 12V @ 2.08A   | 12.00%     | 30                   |
| FATR25-30    | 25   | 30V CT @ 0.83A   | 15V @ 1.66A   | 12.00%     | 30                   |
| FATR25-36    | 25   | 36V CT @ 0.69A   | 18V @ 1.38A   | 12.00%     | 30                   |
| FATR25-48    | 25   | 48V CT @ 0.52A   | 24V @ 1.04A   | 12.00%     | 30                   |
| FATR25-230   | 25   | 230V CT @ 0.11A  | 115V @ .22A   | 12.00%     | 30                   |
| FATR50-12    | 50   | 12V CT @ 4.17A   | 6.0V @ 8.34A  | 12.00%     | 40                   |
| FATR50-18    | 50   | 18V CT @ 2.78A   | 9.0V 5.56A    | 12.00%     | 40                   |
| FATR50-24    | 50   | 24V CT @ 2.08A   | 12V @ 4.16A   | 12.00%     | 40                   |
| FATR50-30    | 50   | 30V CT @ 1.67A   | 15V @ 3.34A   | 12.00%     | 40                   |
| FATR50-36    | 50   | 36V CT @ 1.39A   | 18V @ 2.78A   | 12.00%     | 40                   |
| FATR50-48    | 50   | 48V CT @ 1.04A   | 24V @ 2.08A   | 12.00%     | 40                   |
| FATR50-230   | 50   | 230V CT @ 0.22A  | 115V @ .44A   | 12.00%     | 40                   |
| FATR100-12   | 100  | 12V CT @ 8.33A   | 6.0V @ 16.66A | 9.00%      | 45                   |
| FATR100-18   | 100  | 18V CT @ 5.56A   | 9.0V @ 11.12A | 9.00%      | 45                   |
| FATR100-24   | 100  | 24V CT @ 4.17A   | 12V @ 8.34A   | 9.00%      | 45                   |
| FATR100-30   | 100  | 30V CT @ 3.33A   | 15V @ 6.66A   | 9.00%      | 45                   |
| FATR100-36   | 100  | 36V CT @ 2.78A   | 18V @ 5.56A   | 9.00%      | 45                   |
| FATR100-48   | 100  | 48V CT @ 2.08A   | 24V @ 4.16A   | 9.00%      | 45                   |
| FATR100-230  | 100  | 230V CT @ 0.43A  | 115V @ .86A   | 9.00%      | 45                   |
| FATR160-12   | 160  | 12V CT @ 13.3A   | 6.0V @ 26.6A  | 8.00%      | 50                   |
| FATR160-18   | 160  | 18V CT @ 8.8A    | 9.0V @ 17.60A | 8.00%      | 50                   |
| FATR160-24   | 160  | 24V CT @ 6.67A   | 12V @ 13.34A  | 8.00%      | 50                   |
| FATR160-30   | 160  | 30V CT @ 5.33A   | 15V @ 10.66A  | 8.00%      | 50                   |
| FATR160-36   | 160  | 36V CT @ 4.44A   | 18V @ 8.88A   | 8.00%      | 50                   |
| FATR160-48   | 160  | 48V CT @ 3.33A   | 24V @ 6.66A   | 8.00%      | 50                   |
| FATR160-230  | 160  | 230V CT @ 0.70A  | 115V @ 1.40A  | 8.00%      | 50                   |
| FATR250-12   | 250  | 12V CT @ 20.8A   | 6.0V @ 41.60A | 7.00%      | 50                   |
| FATR250-18   | 250  | 18V CT @ 13.8A   | 9.0V @ 27.60A | 7.00%      | 50                   |
| FATR250-24   | 250  | 24V CT @ 10.42A  | 12V @ 20.84A  | 7.00%      | 50                   |
| FATR250-36   | 250  | 36V CT @ 6.94A   | 18V @ 13.88A  | 7.00%      | 50                   |
| FATR250-48   | 250  | 48V CT @ 5.20A   | 24V @ 10.4A   | 7.00%      | 50                   |
| FATR250-230  | 250  | 230V CT @ 1.09A  | 115V @ 2.18A  | 7.00%      | 50                   |
| FATR500-48   | 500  | 48V CT @ 10.4A   | 24V @ 20.8A   | 5.00%      | 50                   |
| FATR500-100  | 500  | 100V CT @ 5.0A   | 50V @ 10.0A   | 5.00%      | 50                   |
| FATR500-230  | 500  | 230V CT @ 2.17A  | 115V @ 4.34A  | 5.00%      | 50                   |
| FATR1000-48  | 1000 | 48V CT @ 20.83A  | 24V @ 41.66A  | 4.00%      | 50                   |
| FATR1000-100 | 1000 | 100V CT @ 10.0A  | 50V @ 20.0A   | 4.00%      | 50                   |
| FATR1000-230 | 1000 | 230V CT @ 4.35A  | 115V @ 8.70A  | 4.00%      | 50                   |
| FATR2500-100 | 2500 | 100V CT @ 25.0A  | 50V @ 50.0A   | 2.50%      | 50                   |
| FATR2500-230 | 2500 | 230V CT @ 10.87A | 115V @ 21.74A | 2.50%      | 50                   |

# Tianchang Fuan Electronics Co., Ltd

## TOROIDAL POWER TRANSFORMER:

| Fuan         | O. D | Height | Weight | Mounting | Lead wires    |
|--------------|------|--------|--------|----------|---------------|
| P/N          | (mm) | (mm)   | (kg)   | (mm)     | Size          |
| FATR25-12    | 71   | 32     | 0.4    | M5*40    | #22AWG/UL1015 |
| FATR25-18    | 71   | 32     | 0.4    | M5*40    | #22AWG/UL1015 |
| FATR25-24    | 71   | 32     | 0.4    | M5*40    | #22AWG/UL1015 |
| FATR25-30    | 71   | 32     | 0.4    | M5*40    | #22AWG/UL1015 |
| FATR25-36    | 71   | 32     | 0.4    | M5*40    | #22AWG/UL1015 |
| FATR25-48    | 71   | 32     | 0.4    | M5*40    | #22AWG/UL1015 |
| FATR25-230   | 71   | 32     | 0.4    | M5*40    | #22AWG/UL1015 |
| FATR50-12    | 80   | 33     | 0.6    | M5*45    | #20AWG/UL1015 |
| FATR50-18    | 80   | 33     | 0.6    | M5*45    | #20AWG/UL1015 |
| FATR50-24    | 80   | 33     | 0.6    | M5*45    | #20AWG/UL1015 |
| FATR50-30    | 80   | 33     | 0.6    | M5*45    | #20AWG/UL1015 |
| FATR50-36    | 80   | 33     | 0.6    | M5*45    | #20AWG/UL1015 |
| FATR50-48    | 80   | 33     | 0.6    | M5*45    | #20AWG/UL1015 |
| FATR50-230   | 80   | 33     | 0.6    | M5*45    | #22AWG/UL1015 |
| FATR100-12   | 87   | 47     | 1.0    | M6*55    | #18AWG/UL1015 |
| FATR100-18   | 87   | 47     | 1.0    | M6*55    | #18AWG/UL1015 |
| FATR100-24   | 87   | 47     | 1.0    | M6*55    | #18AWG/UL1015 |
| FATR100-30   | 87   | 47     | 1.0    | M6*55    | #18AWG/UL1015 |
| FATR100-36   | 87   | 47     | 1.0    | M6*55    | #18AWG/UL1015 |
| FATR100-48   | 87   | 47     | 1.0    | M6*55    | #18AWG/UL1015 |
| FATR100-230  | 87   | 47     | 1.0    | M6*55    | #20AWG/UL1015 |
| FATR160-12   | 103  | 48     | 1.6    | M6*60    | #14AWG/UL1015 |
| FATR160-18   | 103  | 48     | 1.6    | M6*60    | #16AWG/UL1015 |
| FATR160-24   | 103  | 48     | 1.6    | M6*60    | #16AWG/UL1015 |
| FATR160-30   | 103  | 48     | 1.6    | M6*60    | #16AWG/UL1015 |
| FATR160-36   | 103  | 48     | 1.6    | M6*60    | #16AWG/UL1015 |
| FATR160-48   | 103  | 48     | 1.6    | M6*60    | #16AWG/UL1015 |
| FATR160-230  | 103  | 48     | 1.6    | M6*60    | #18AWG/UL1015 |
| FATR250-12   | 112  | 54     | 2.2    | M6*65    | #14AWG/UL1015 |
| FATR250-18   | 112  | 54     | 2.2    | M6*65    | #16AWG/UL1015 |
| FATR250-24   | 112  | 54     | 2.2    | M6*65    | #16AWG/UL1015 |
| FATR250-36   | 112  | 54     | 2.2    | M6*65    | #16AWG/UL1015 |
| FATR250-48   | 112  | 54     | 2.2    | M6*65    | #16AWG/UL1015 |
| FATR250-230  | 112  | 54     | 2.2    | M6*65    | #16AWG/UL1015 |
| FATR500-48   | 140  | 60     | 4.2    | M8*70    | #16AWG/UL1015 |
| FATR500-100  | 140  | 60     | 4.2    | M8*70    | #16AWG/UL1015 |
| FATR500-230  | 140  | 60     | 4.2    | M8*70    | #16AWG/UL1015 |
| FATR1000-48  | 175  | 68     | 8.2    | M8*80    | #14AWG/UL1015 |
| FATR1000-100 | 175  | 68     | 8.2    | M8*80    | #14AWG/UL1015 |
| FATR1000-230 | 175  | 68     | 8.2    | M8*80    | #14AWG/UL1015 |
| FATR2500-100 | 208  | 112    | 19.4   | M8*120   | #12AWG/UL1015 |
| FATR2500-230 | 208  | 112    | 19.4   | M8*120   | #14AWG/UL1015 |