

FACM12BV SERIES

FRAME CORE CHOKES FOR POWER LINES



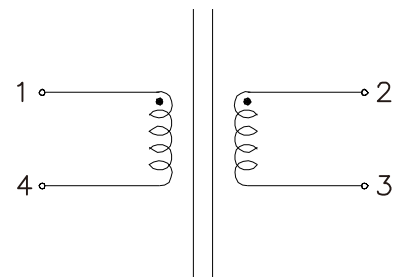
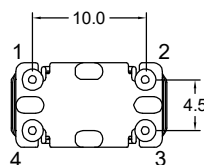
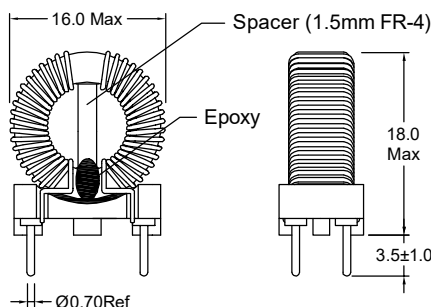
ELECTRICAL SPECIFICATIONS:

- Rated Voltage 250 VAC.
- Rated Current 0.30 A to 4.0 A.
- Turns Ratio: N1:N2=1:1±2%.
- Hi-pot: 1500VAC/1mA/2Second.
- Test Frequency Response: 10KHz/100mV.
- Operating Temperature Range: -40°C to +105.
- Inductance Tolerance: +50%/-30% at 25°C.
- All Parts Meet Rohs Compliance.
- Weight: Approximately 3.5g.

ELECTRICAL CHARACTERISTICS AT 25°C

Part Number	Inductance (mH) +50%/-30%	D.C.Resistance (ohms) Max	Rated Current (A)	Part Number	Inductance (mH) +50%/-30%	D.C.Resistance (ohms) Max	Rated Current (A)
FACM12BV-563Y0R3	56	2000	0.30	FACM12BV-472Y0R3	4.7	2000	0.30
FACM12BV-473Y0R4	47	1000	0.40	FACM12BV-392Y0R4	3.9	1000	0.40
FACM12BV-333Y0R5	33	600	0.50	FACM12BV-272Y0R5	2.7	600	0.50
FACM12BV-203Y0R6	20	450	0.60	FACM12BV-182Y0R6	1.8	450	0.60
FACM12BV-153Y0R7	15	300	0.70	FACM12BV-122Y0R7	1.2	300	0.70
FACM12BV-103Y0R8	10	220	0.80	FACM12BV-102Y0R8	1.0	220	0.80
FACM12BV-822Y0R9	8.2	180	0.90	FACM12BV-681Y0R9	0.68	180	0.90
FACM12BV-682Y1R0	6.8	160	1.00	FACM12BV-561Y1R0	0.56	160	1.00
FACM12BV-562Y1R2	5.6	120	1.20	FACM12BV-471Y1R2	0.47	120	1.20
FACM12BV-472Y1R5	4.7	90	1.50	FACM12BV-391Y1R5	0.39	90	1.50
FACM12BV-332Y2R0	3.3	60	2.00	FACM12BV-271Y2R0	0.27	60	2.00
FACM12BV-252Y2R5	2.5	40	2.50	FACM12BV-221Y2R5	0.22	40	2.50
FACM12BV-152Y2R7	1.5	25	3.00	FACM12BV-121Y2R7	0.12	25	3.00
FACM12BV-102Y3R0	1.0	25	3.00	FACM12BV-101Y3R0	0.10	25	3.00
FACM12BV-681Y3R5	0.68	18	3.50	FACM12BV-560Y3R5	0.056	18	3.50
FACM12BV-561Y4R0	0.56	15	4.00	FACM12BV-470Y4R0	0.047	15	4.00

TECHNICAL INFORMATION



Dimensions in mm
Tolerance: .X ±0.50
.XX ±0.25