

FACM14BV1 SERIES

FRAME CORE CHOKES FOR POWER LINES



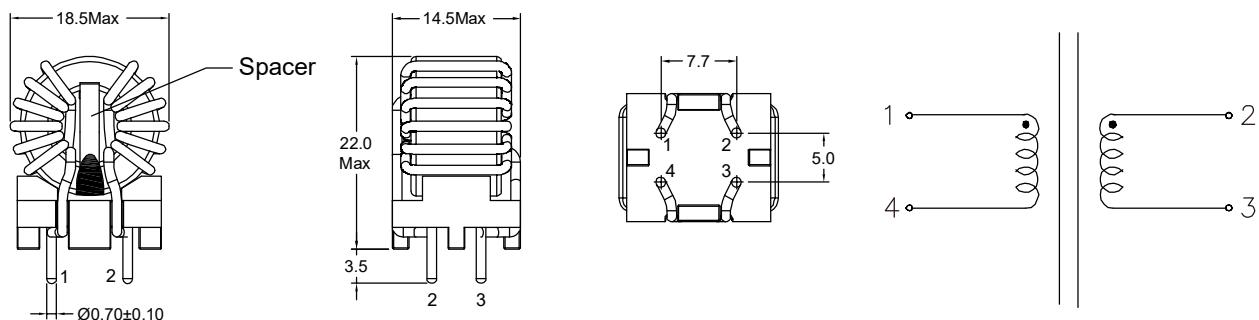
ELECTRICAL SPECIFICATIONS:

- Rated Voltage 250 VAC.
- Rated Current 0.40 A to 5.0 A.
- Turns Ratio: N1:N2=1:1±2%.
- Hi-pot: 1500VAC/1mA/2Second.
- Test Frequency Response: 10KHz/100mV.
- Operating Temperature Range: -40°C to +105.
- Inductance Tolerance: +50%/-30% at 25°C.
- All Parts Meet Rohs Compliance.
- Weight: Approximately 5.5g.

ELECTRICAL CHARACTERISTICS AT 25°C

Part Number	Inductance (mH) +50%/-30%	D.C.Resistance (mohms) Max	Rated Current (A)	Part Number	Inductance (mH) +50%/-30%	D.C.Resistance (mohms) Max	Rated Current (A)
FACM14BV1-333Y0R4	33	1100	0.40	FACM14BV1-332Y0R4	3.3	1100	0.40
FACM14BV1-203Y0R5	20	600	0.50	FACM14BV1-202Y0R5	2.0	600	0.50
FACM14BV1-153Y0R6	15	350	0.60	FACM14BV1-152Y0R6	1.5	350	0.60
FACM14BV1-103Y0R8	10	270	0.80	FACM14BV1-102Y0R8	1.0	270	0.80
FACM14BV1-822Y1R0	8.2	200	1.00	FACM14BV1-821Y1R0	0.82	200	1.00
FACM14BV1-682Y1R2	6.8	150	1.20	FACM14BV1-681Y1R2	0.68	150	1.20
FACM14BV1-562Y1R5	5.6	120	1.50	FACM14BV1-471Y1R5	0.47	120	1.50
FACM14BV1-472Y2R0	4.7	75	2.00	FACM14BV1-391Y2R0	0.39	75	2.00
FACM14BV1-272Y2R5	2.7	50	2.50	FACM14BV1-251Y2R5	0.25	50	2.50
FACM14BV1-202Y3R0	2.0	35	3.00	FACM14BV1-201Y3R0	0.20	35	3.00
FACM14BV1-102Y3R5	1.0	25	3.50	FACM14BV1-101Y3R5	0.10	25	3.50
FACM14BV1-681Y4R0	0.68	20	4.00	FACM14BV1-680Y4R0	0.068	20	4.00
FACM14BV1-561Y4R5	0.56	15	4.50	FACM14BV1-560Y4R5	0.056	15	4.50
FACM14BV1-471Y5R0	0.47	12	5.00	FACM14BV1-470Y5R0	0.047	12	5.00

TECHNICAL INFORMATION



Dimensions in mm
Tolerance: .X ±0.50
.XX ±0.25