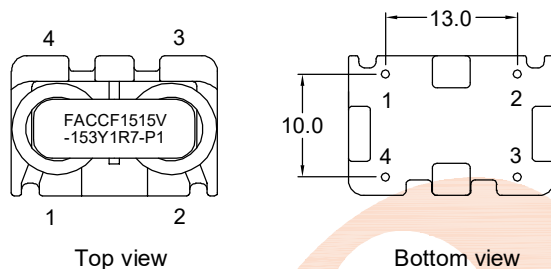
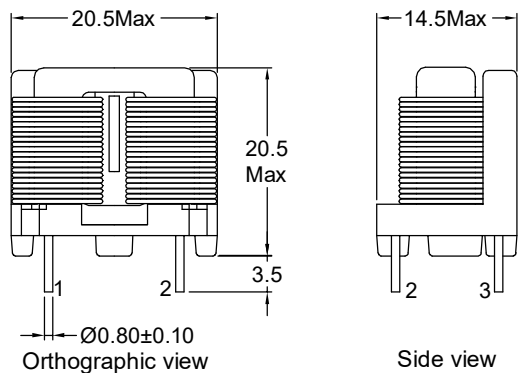
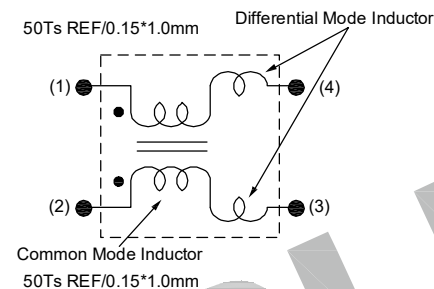


P/N: FACCF1515V-153Y1R7-P1

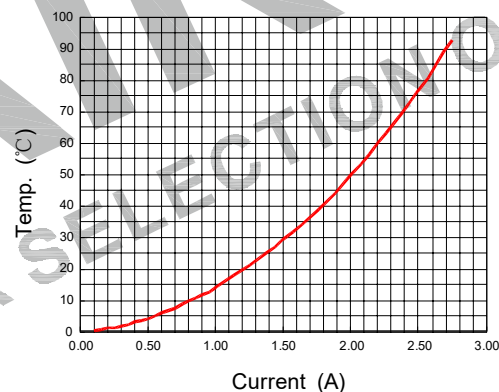
Outline Dimensions(Unit:mm)



Electronical Schematic



Simulation test curve:



Electrical Characteristics(at 25°C)


Inductance : 15.0mH Min,at 1KHz,0.25V.
 Lstray: Lkg=100uH typ,at 1KHz,0.25V.
 Inductance balance : L1-L2= 300uH Max,at 1KHz,0.25V.
 D.C.Resistance: 175 mohms Max.
 Rated current: 1.7Amps.
 Turns Ratio : 1:1±2%,at 20KHz,1V.
 Hipot : Pri-Sec : 1500VAC/5mA/2Second.

List of UL Certificate:

Part Name	Mat'l Description	Supplier	UL Number
Bobbin	SQ1515/T375HF	Chang Chun Plastics Co Ltd	E59481
Copper wire	SFT-UJEW-H	Ningbo Jintian New Material Co Ltd	E227047
Core	SQ1515-H12K	Su Zhou Tian Ming Magnetic	N/A
Epoxy	YZ-HC-1401C	YouZhi Electronic(DongGuan)Co.,Ltd	N/A
or Varnish	T4260LZ	Suzhou Taihu Electric Advanced Material Co., Ltd	E228349

***Weight:Approx 11.3g.

Tianchang Fuan Electronic Co Ltd
 www.fuantronics.net
 TEL: +86-550-7814888
 FAX: +86-550-7831133


 Tolerances unless otherwise specified:
 (X)±0.50 (XX)±0.25
 Unit of measurement: mm

Make: Yuing.yu
 Checked: Beson. zhan
 Approved: Anson. zhan

DRAWING TITLE
 CCF1515V Current-compensated
 frame core double chokes
 Material Number:

Customer P/N:
 Document/Rev: 2207108/00
 Specification Sheet: 1 of 1
 Date of Recognition: July./14/2022

REV	DESCRIPTION	APPD	DATE