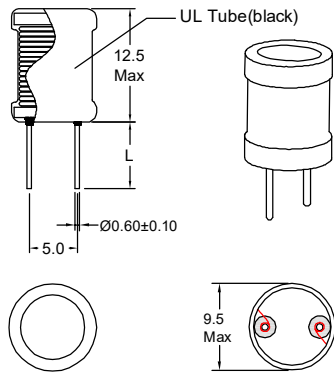


P/N: FALCHB0810-272K0R22-□

Outline Dimensions(Unit:mm)



Pins Lead(L):

| | |
|-----|----------|
| -5 | 5.00±1.0 |
| -10 | 10.0±2.0 |
| -15 | 15.0±3.0 |

FALCHB0810-272K0R22-5
FALCHB0810-272K0R22-10
FALCHB0810-272K0R22-15

REMARK:

1. Products need thermal shrinkable sleeve.

Electronical Schematic

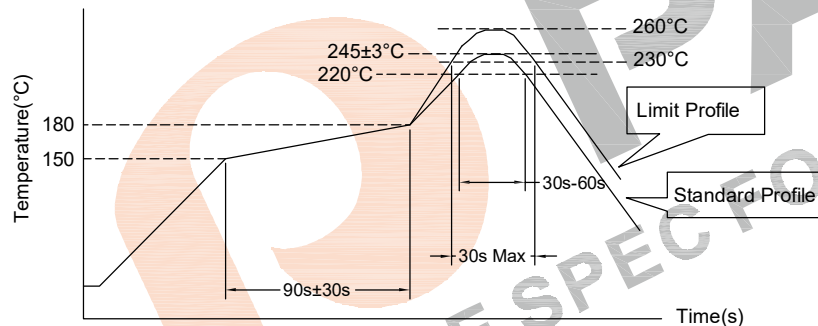


Electrical Characteristics(@25°C)

| Inductance 1KHz,0.3V | Lldc 1KHz,0.3V | Temp. 40°C | DC Resistor | Rated Current |
|-------------------------|-------------------|---------------|-------------|---------------|
| 2.7mH±10% | >90%*LOA | 240mA | 4.94 Ω Max | 220mA |

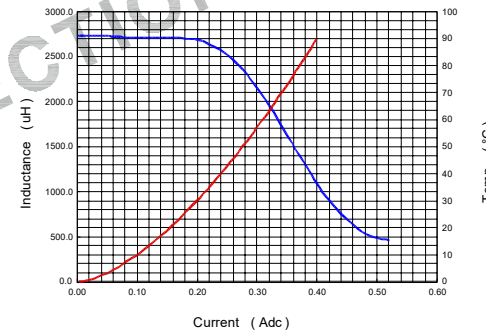
- ***Operating Temperature: -40°C~+125°C.
(Temperature rise included)
- ***Storage Temperature : -40°C~+125°C.
- ***Storage Humidity:RH10%~70%.

Recommended Soldering Temperature Graph.



| | Standard Profile | Standard Profile |
|------------------|---------------------|---------------------|
| Pre-heating | 150~180°C,90s±30s | |
| Heating | above 220°C,30s-60s | above 240°C,30s Max |
| Peak temperature | 245°C±3°C | 260°C,10s |
| Cycle of reflow | 2 times | 2 times |

Simulation test curve:



Material list

| Part Name | SPEC | Supplier | UL Number |
|-----------|------------------------------|---|-----------|
| Core | DR2W8*10(B=4)-MgZn | LiCheng Electronic(ZhangZhou) Co.,Ltd | N/A |
| Wire | 2UEW-F/155°C | ShangDong Saint Electric Co.,Ltd | E194410 |
| Tube | Heat shrinkable casing/125°C | Changyuan Electronics (Shenzhen) Co Ltd | E180908 |

Tianchang Fuan Electronic Co Ltd
www.fuantronics.net
TEL: +86-550-7814888
FAX:+86-550-7831133



Tolerances unless otherwise specified:
(X)±0.50 (XX)±0.25
Unit of measurement: mm

Drawn: *June*
Checked: *BenSon*
Approved: *AmSon*

DRAWING TITLE
DR2W8*10 RADIAL FILTER CHOKE
Material Number:

Customer Name:
Document/Rev: 2210052/00
Specification Sheet: 1 of 1
Date of Recognition: Oct./11/2022

| REV | DESCRIPTION | APPD | DATE |
|-----|-------------|------|------|
| | | | |