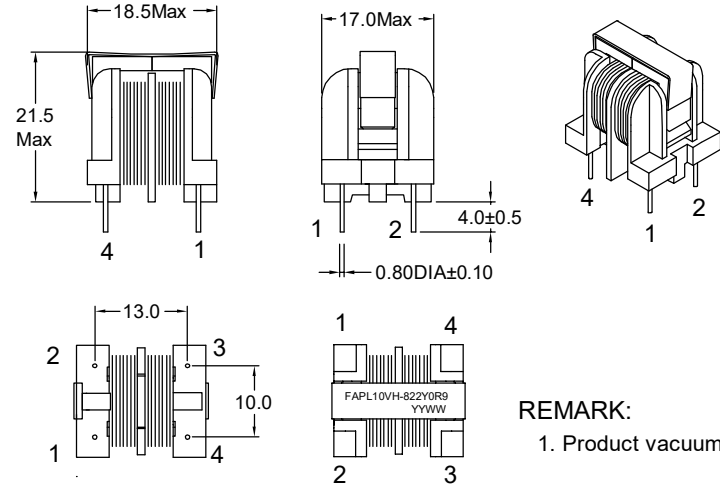


P/N: FAPL10VH-822Y0R9

RoHS

Outline Dimensions (Unit:mm)



REMARK:
1. Product vacuum impregnation.

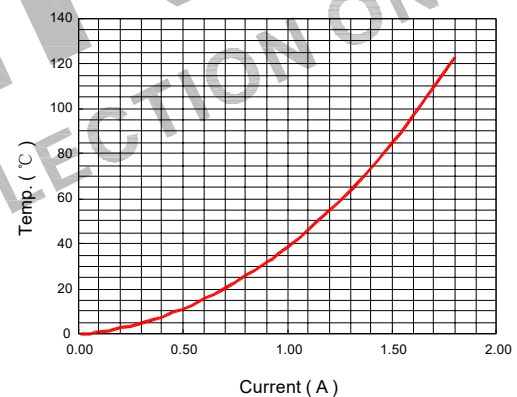
Electrical Characteristics

Inductance : 8.2mH Min, at 10KHz, 0.1V.
 Rated current : 0.90Amps.
 D.C. Resistance : 0.55 ohms Max.
 Turns Ratio : Wdg1:Wdg2=1:1±1%, at 20KHz, 1V.
 Hipot : Coil-Coil : 1500VAC/3mA/2S.

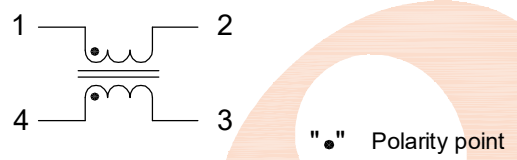
General Properties:

Operating Temperature:-40°C to +125°C
 (Temperature rise included).
 Storage Temperature:-25°C to +85°C.
 Storage Humidity:RH10%~70%.
 Weight: ≈10.0g

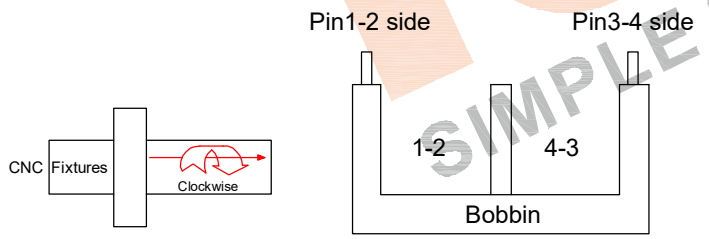
Current VS Temp.(Simulation test).



Electronical Schematic

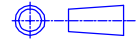


Winding Construction:



List of UL Certificate:

| No. | Part Name | Mat'l Description | Supplier | UL Number |
|-----|-------------|-------------------|--|-----------|
| 1 | Bobbin | UU-1052/T375J | Chang Chun Plastics Co Ltd | E59481 |
| 2 | Copper wire | 2UEW-F/155C | Dong Guan YiDa Industrial Co Ltd | E344055 |
| 3 | Core | UU10.5-H10K | Fuan | N/A |
| 4 | Clip | UU10.5/SUS301 | Chuangshun Hardware Electronic Factory | N/A |
| 5 | Varnish | T-4260(a)/MW80-C | SuZhou TaiHu Electric Advanced Material Co Ltd | E228349 |

| | | | | | | | | | | | | | |
|-----|-------------|------|------|---|--|--|--|--|--|--|--|---|--|
| | | | | Tianchang Fuan Electronic Co Ltd www.fuantronics.net TEL: +86-550-7814888 FAX: +86-550-7831133 | |  Tolerances unless otherwise specified: (X)±0.50 (XX)±0.25 Unit of measurement: mm | | Make: <i>Jun</i> Checked: <i>BenSon</i> Approved: <i>AmSon</i> | | DRAWING TITLE UU10.5 COMMON-CODE FILTER INDUCTOR Material Number: A24PL10XA250 | | Customer P/N: Document/Rev: 2201063/00 Specification Sheet: 1 of 1 Date of Recognition: Jan./02/2021 | |
| REV | DESCRIPTION | APPD | DATE | | | | | | | | | | |