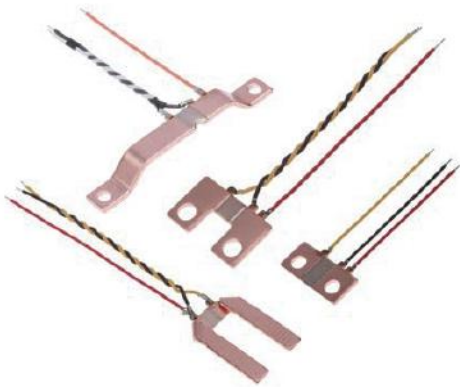


SHUNT FOR METER



FEATURES

- Excellent Long Term Stability
- Low Temperature Coefficient $\leq 50\text{ppm}/^\circ\text{C}$
- Comply With RoHS Standards
- Special Specifications Can Be Customized
- Electron Beam Welding, Stable Performance
- Sustain High Temperature
- Small Self-heat

APPLICATIONS

- Frequency Converters
- Power Modules
- Uninterrupted Power Supply
- Current Sensor for Power Hybrid Applications
- Welding Equipment
- Electronic Battery Management
- High Current Applications For the Automotive Market
- Automatic Control Power Supply

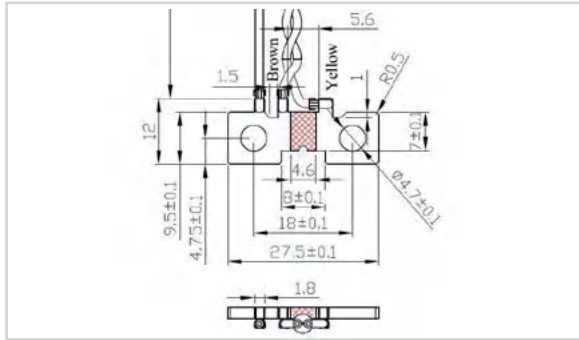
RESISTANCE RECOMMENDATION

kWh Meter		Shunt		
Current Range	Class	Thickness	Typical value ($\mu\Omega$)	Error
5(30)A	1.0/2.0	1.0mm	400-600	2%, 5%
10(40)A	1.0/2.0	1.0mm	300-500	2%, 5%
5(50)A	1.0/2.0	1.0-1.2mm	250-400	2%, 5%
10(50)A	1.0/2.0	1.0-1.2mm	200-350	2%, 5%
5(60)A	1.0/2.0	1.0-1.5mm	200-400	2%, 5%
10(60)A	1.0/2.0	1.0-1.5mm	150-350	2%, 5%
10(80)A	1.0/2.0	1.5mm	150-250	2%, 5%
20(80)A	1.0/2.0	1.5mm	150-250	2%, 5%
10(100)A	1.0/2.0	1.5-2.0mm	100-250	2%, 5%
20(100)A	1.0/2.0	1.5-2.0mm	100-250	2%, 5%
30(100)A	1.0/2.0	1.5-2.0mm	100-250	2%, 5%

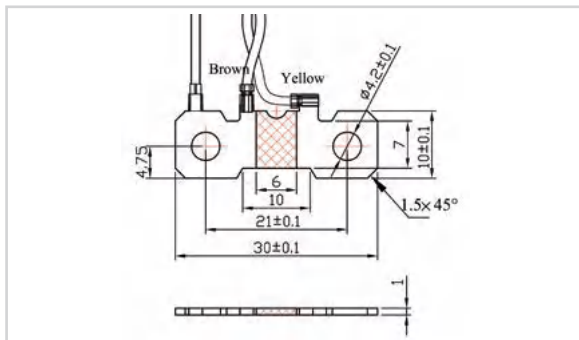
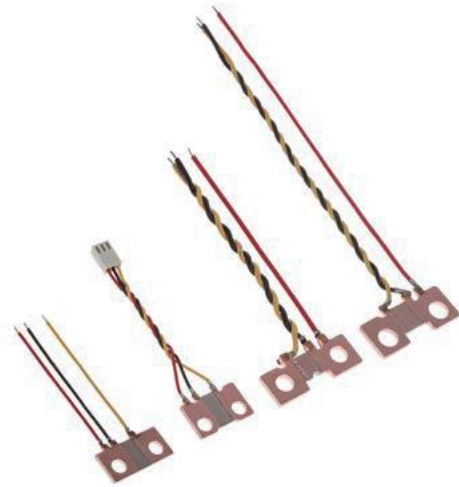
Product datasheet

ELECTRICAL INFORMATION

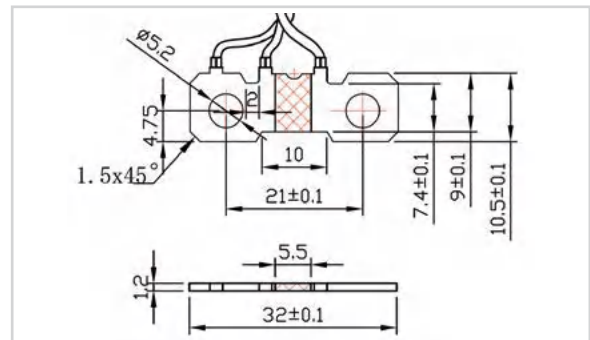
FABSA SERIES



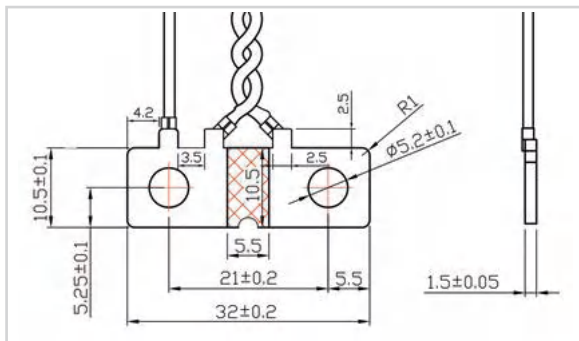
FABSA20160-27.5-9.5-18-4.7-V4



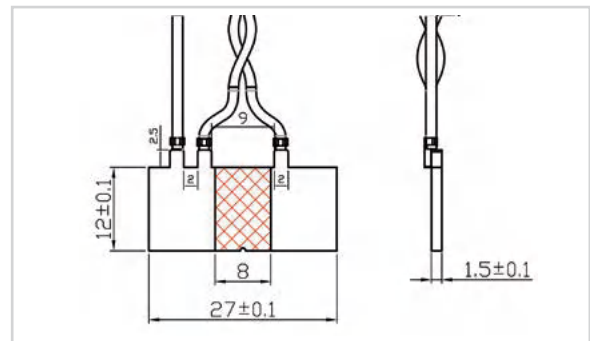
FABSA10350-30-10-21-4.2-V1



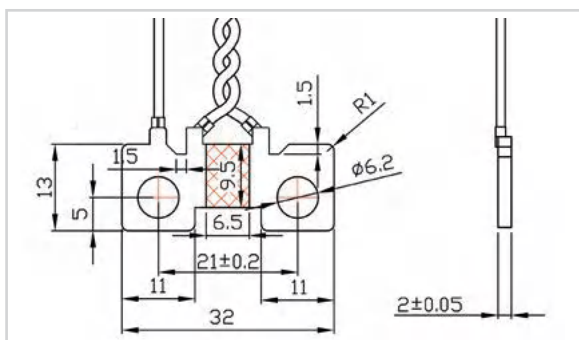
FABSA12250-32-10.5-21-5.2-V2



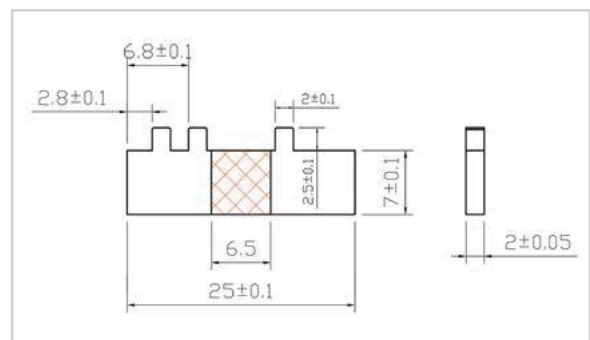
FABSA15175-32-10.5-21-5.2-V1



FABSA15200-27-12-V1



FABSA20150-32-13-21-6.2-V1



FABSA20200-25-7-V1