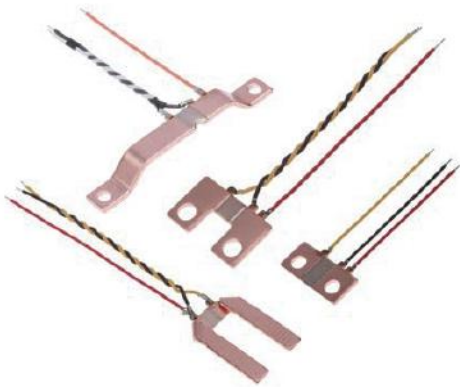


## SHUNT FOR METER



### FEATURES

- Excellent Long Term Stability
- Low Temperature Coefficient  $\leq 50\text{ppm}/^\circ\text{C}$
- Comply With RoHS Standards
- Special Specifications Can Be Customized
- Electron Beam Welding, Stable Performance
- Sustain High Temperature
- Small Self-heat

### APPLICATIONS

- Frequency Converters
- Power Modules
- Uninterrupted Power Supply
- Current Sensor for Power Hybrid Applications
- Welding Equipment
- Electronic Battery Management
- High Current Applications For the Automotive Market
- Automatic Control Power Supply

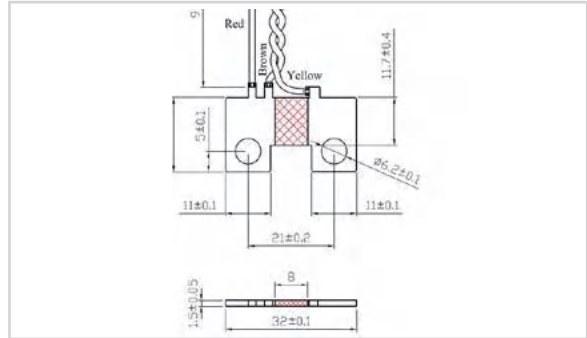
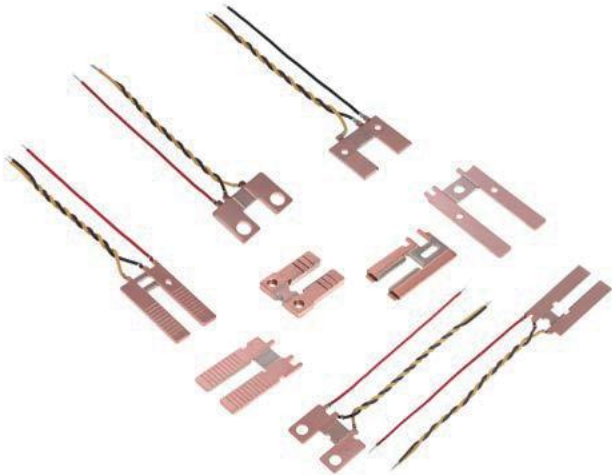
### RESISTANCE RECOMMENDATION

kWh Meter		Shunt		
Current Range	Class	Thickness	Typical value ( $\mu\Omega$ )	Error
5(30)A	1.0/2.0	1.0mm	400-600	2%, 5%
10(40)A	1.0/2.0	1.0mm	300-500	2%, 5%
5(50)A	1.0/2.0	1.0-1.2mm	250-400	2%, 5%
10(50)A	1.0/2.0	1.0-1.2mm	200-350	2%, 5%
5(60)A	1.0/2.0	1.0-1.5mm	200-400	2%, 5%
10(60)A	1.0/2.0	1.0-1.5mm	150-350	2%, 5%
10(80)A	1.0/2.0	1.5mm	150-250	2%, 5%
20(80)A	1.0/2.0	1.5mm	150-250	2%, 5%
10(100)A	1.0/2.0	1.5-2.0mm	100-250	2%, 5%
20(100)A	1.0/2.0	1.5-2.0mm	100-250	2%, 5%
30(100)A	1.0/2.0	1.5-2.0mm	100-250	2%, 5%

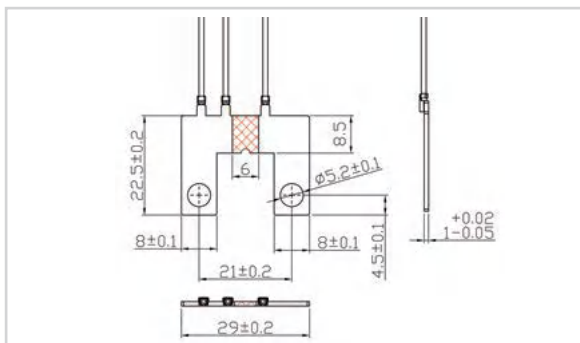
# Product datasheet

## ELECTRICAL INFORMATION

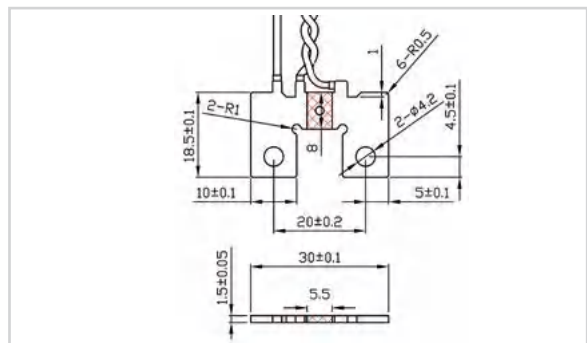
### FAESB SERIES



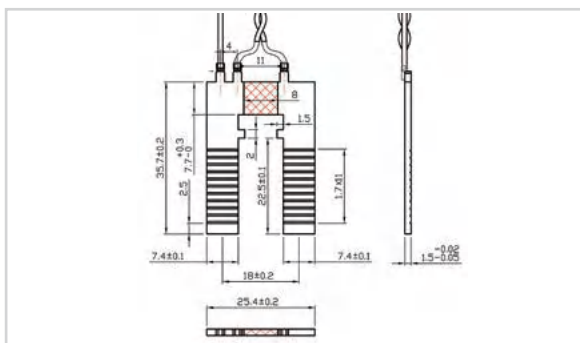
FAESB15200-32-11-21-6.2-V1



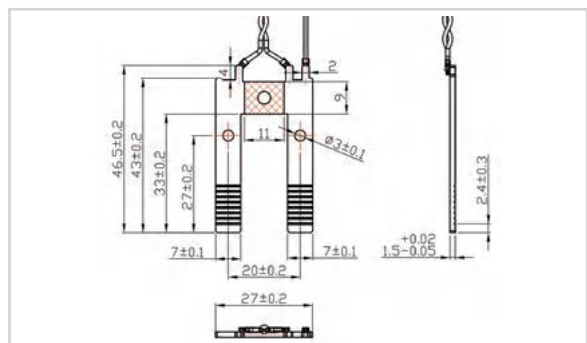
FAESB10350-29-8-21-5.2-V1



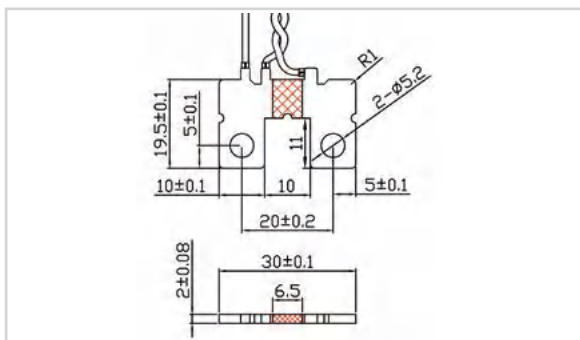
FAESB15250-30-10-20-4.2-V1



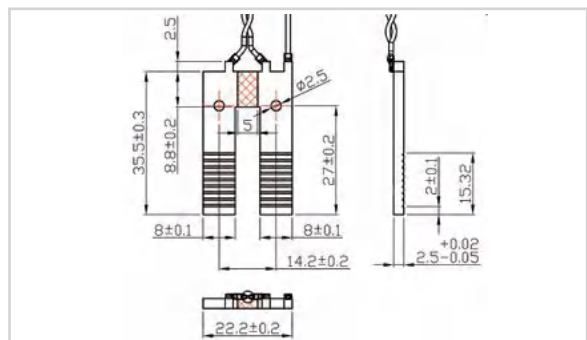
FAESB15300-25.4-7.4-18-ES-V1



FAESB15540-27-7-20-3-V1



FAESB20200-30-10-20-5.2-V1



FAESB25100-22.2-8-14.2-2.5-V1