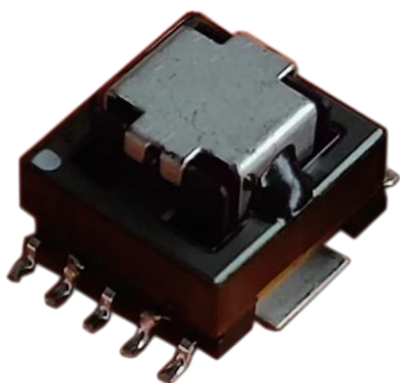


# HIGH FREQUENCY CURRENT SENSING TRANSFORMER

## FACTE12 SERIES



### ELECTRICAL SPECIFICATION

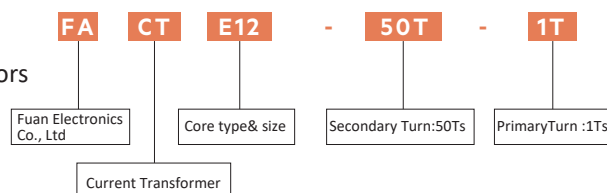
- Primary current of 35 A causes less than 35°C temperature rise from 25°C ambient. Higher current causes a greater temperature rise
  - Operating temperature: -40°C to +120°C
  - Storage temperature Component: -40°C to +165°C
  - Inductance measured between secondary pins at 100kHz, 0.1 Vrms, 0 Adc
  - Inductance measured at 0Adc on HP 4284A LCR Meter or equivalent
  - DCR measured on Chroma 16502 microohmmeter or equivalent
- Electrical specifications at 25°C

### FEATURES

- Very low DC resistance
- Different turns ratios
- Very small package
- RoHS compatible
- 1000Vrms, one minute isolation (hipot) between windings temperature rise from 25°C ambient. Higher current causes a greater temperature rise

### APPLICATIONS

- Power supply for VTRs
- Small surface mount current sensors
- Sensed current up to 35 A; Frequency range up to 1MHz
- Very low primary DC resistance
- 1.0KV DC/3mA / 1S isolation (hipot) between windings
- LCD televisions, Notebook PCs, Portable communication equipment, DC/DC converters, etc



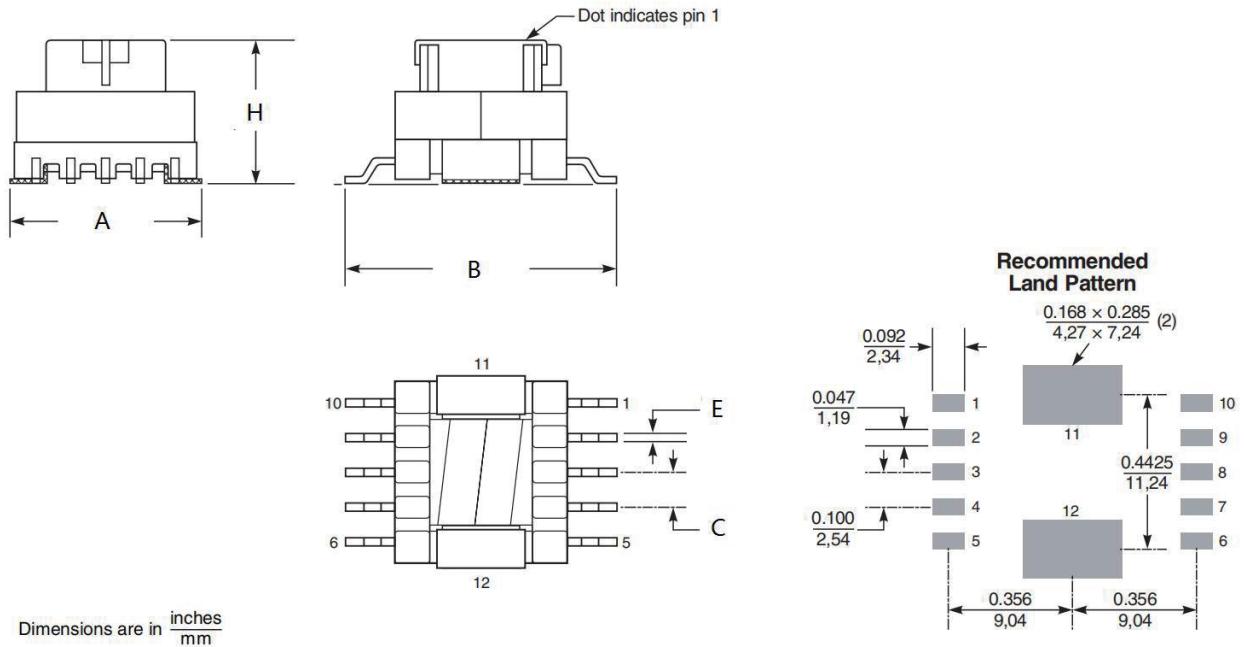
### ELECTRICAL CHARACTERISTICS FORM

Part Number	Turns ratio sec:pri	Secondary Inductance @100KHZ0.1V (mH)MIN	DCR(Ω)		Sensed Current(A) (Max)
			Sec Max	Pri Ref	
FACTE12-50T-1T	50:1	1.40	0.70	0.0042	35
FACTE12-100T-1T	100:1	5.60	1.40	0.0042	35
FACTE12-150T-1T	150:1	12.6	2.40	0.0042	35
FACTE12-200T-1T	200:1	22.4	2.90	0.0042	35

# Product datasheet

## ELECTRICAL INFORMATION

Dimension in mm



Item	A MAX.	B MAX.	C MAX.
FACTE12	15.0	20.0	2.50

Item	E	H MAX
FACTE12	0.7	10.50

## CURRENT VS TEMPERATURE RISE

